

JVC

SERVICE MANUAL

CD RECEIVER

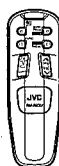
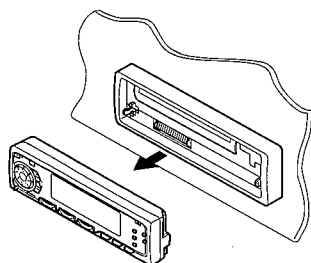
KD-SX939 KD-SX930

DIGIFINE

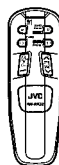
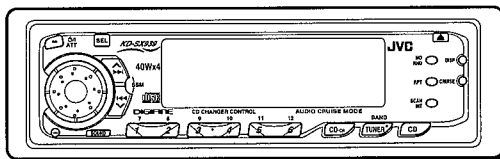
COMPACT
disc
DIGITAL AUDIO

Area Suffix

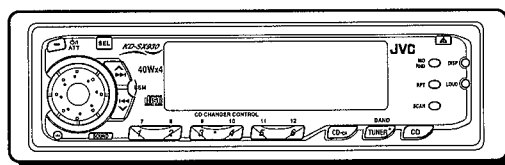
J----- U.S.A.



KD-SX939



KD-SX930



CD Mechanism
TN-CCD1001

SYSTEM CPU
UPD178018AGC513


POWER AMP
TDA8568Q


CD PICKUP
OPTIMA720

Contents

Safety Precaution -----	1-2	Maintenance of Laser Pickup -----	2-11
Instructions -----	1-3~1-22	Replacement of Laser Pickup -----	2-11
Location of Main parts -----	2-1, 2	Description of Main ICs -----	2-12~17
Removal of Main parts -----	2-3~8	Block Diagram -----	2-18
Main Adjustment -----	2-9	Standard Schematic Diagrams -----	3-1~5
Flow of Functional		Location of P.C.Board Parts -----	3-6~8
Operation Unit TOC Read -----	2-10	Parts List -----	4-1~14

Safety Precaution

 **CAUTION** Burrs formed during molding may be left over on some parts of the chassis. Therefore, pay attention to such burrs in the case of performing repair of this system.

 **CAUTION** Please use enough caution not to see the beam directly or touch it in case of an adjustment or operation check.

Instructions



CD RECEIVER

KD-SX939/SX930

RECEPTOR CON CD

KD-SX939/SX930

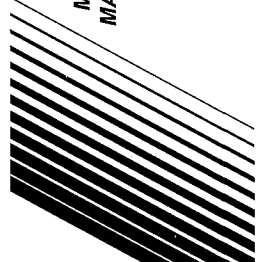
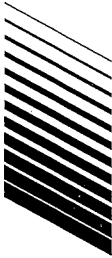
RECEPTEUR CD

KD-SX939/SX930

ENGLISH

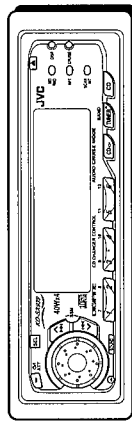
ESPAÑOL

Français

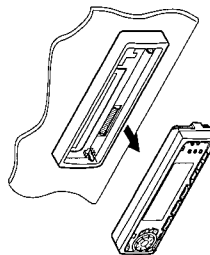
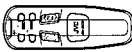
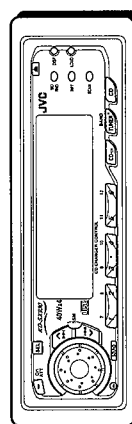


INSTRUCTIONS MANUAL DE INSTRUCCIONES MANUEL D'INSTRUCTIONS

KD-SX939



KD-SX930



For installation and connections, refer to the separate manual.
Para la instalación y las conexiones, refiérase al manual separado.
Pour l'installation et les raccordements, se référer au manuel séparé.



For customer use:

Enter below the Model No. and Serial No. which are located on the top or bottom of the cabinet. Retain this information for future reference.

Model No. _____

Serial No. _____

VNN8831-631S



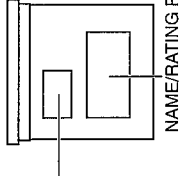
INFORMATION (For U.S.A.)

This equipment has been tested and found to comply with the limits for a Class B digital device, pursuant to Part 15 of the FCC Rules. These limits are designed to provide reasonable protection against harmful interference in a residential installation. This equipment generates, uses, and can radiate radio frequency energy and, if not installed and used in accordance with the instructions, may cause harmful interference to radio and television communications. However, there is no guarantee that interference will not occur in a particular installation. If this equipment does cause harmful interference to radio or television reception, which can be determined by turning the equipment off and on, the user is encouraged to try to correct the interference by one or more of the following measures:

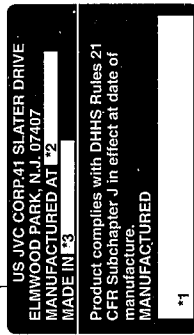
- Reorient or relocate the receiving antenna.
- Increase the separation between the equipment and receiver.
- Connect the equipment into an outlet on a circuit different from that to which the receiver is connected.
- Consult the dealer or an experienced radio/TV technician for help.

Identification and Certification labels

Bottom of the main unit



NAME/RATING PLATE



Notes:

- *1 The date of manufacture.
- *2 The ID code of manufacturing plant.
- *3 Marking of country origin.

BEFORE USE

- * For safety...
 - Do not raise the volume level too much, as this will block outside sounds, making driving dangerous.
 - Stop the car before performing any complicated operations.
- * Temperature inside the car...
 - If you have parked the car for a long time in hot or cold weather, wait until the temperature in the car becomes normal before operating the unit.

IMPORTANT FOR LASER PRODUCTS (For U.S.A. only)

Precautions:

1. CLASS 1 LASER PRODUCT
2. **DANGER:** Invisible laser radiation when open and interlock failed or defeated. Avoid direct exposure to beam.
3. **CAUTION:** Do not open the top cover. There are no user-serviceable parts inside. Leave all servicing to qualified service personnel.
4. **CAUTION:** This CD player uses invisible laser radiation, however, is equipped with safety switches to prevent radiation emission when unloading CDs. It is dangerous to defeat the safety switches.
5. **CAUTION:** Use of controls, adjustments or performance of procedures other than those specified herein may result in hazardous radiation exposure.

BASIC OPERATIONS

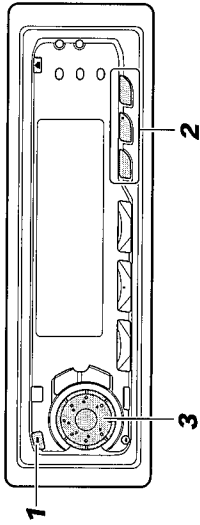
ENGLISH

Thank you for purchasing a JVC product. Please read all instructions carefully before operation, to ensure your complete understanding and to obtain the best possible performance from the unit.

CONTENTS

BASIC OPERATIONS	4
RADIO OPERATIONS	5
Listening to the radio.....	5
Storing stations in memory.....	6
FM station automatic preset: SSM.....	6
Manual preset.....	7
Tuning into a preset station.....	8
Other convenient tuner functions.....	9
Scanning broadcast stations.....	9
Selecting FM reception sound.....	9
CD OPERATIONS	10
Playing a CD.....	10
Locating a track or a particular portion on a CD.....	11
Selecting CD playback modes.....	12
Other convenient CD functions.....	13
Prohibiting CD ejection.....	13
SOUND ADJUSTMENTS	14
Selecting preset sound modes.....	14
Turning on/off the loudness function.....	14
Adjusting the sound.....	15
Storing your own sound adjustments.....	16
OTHER MAIN FUNCTIONS	17
Changing general settings (PSM).....	17
Setting the clock.....	17
Changing the level indicator mode.....	18
Selecting the dimmer mode.....	18
Changing the AM/FM channel intervals.....	19
Turning on or off the key-touch tone.....	19
Controlling the volume automatically.....	20
(ONLY FOR KD-SX939)	
Detaching the control panel.....	22
REMOTE OPERATIONS	23
Installing the batteries.....	23
Using the remote controller.....	23
CD CHANGER OPERATIONS	24
Playing CDs.....	24
Selecting CD playback modes.....	26
MAINTENANCE	27
Handling CDs.....	27
TROUBLESHOOTING	28
SPECIFICATIONS	29

Note:
When you use this unit for the first time, set the built-in clock correctly, see page 17.

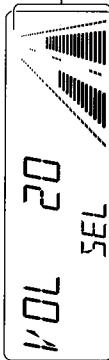


1 Turn on the power.

Note on One-Touch Operation:
When you select a source in step 2 below, the power automatically comes on. You do not have to press this button to turn on the power.

2 Select the source.
To operate the tuner, see pages 5 – 9.
To operate the CD player, see pages 10 – 13.
To operate the CD changer, see pages 24 – 26.

3 Adjust the volume.
Volume level indicator
Volume level appears. (See page 18.)



4 Adjust the sound as you want (see pages 14 – 16).

To drop the volume in a moment

Press ϕ /I/ATT briefly while listening to any source. "ATT" starts flashing on the display, and the volume level will drop in a moment.
To resume the previous volume level, press the button briefly again.

To turn off the power

Press ϕ /I/ATT for more than 1 second.

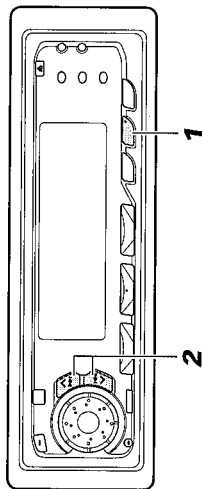
CAUTION on Volume Setting

CDs produce very little noise compared with other sources. If the volume level is adjusted for the tuner, for example, the speakers may be damaged by the sudden increase in the output level. Therefore, lower the volume before playing a CD and adjust it as required during playback.

RADIO OPERATIONS

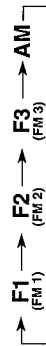
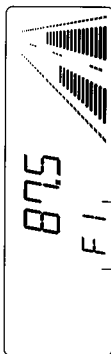


Listening to the radio



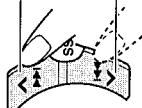
1

Select the band (FM1, FM2, FM3 or AM).
You can select any one of FM1, FM2, and FM3 to listen to an FM station.

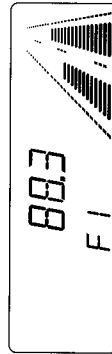


2

To search stations of higher frequencies.
To search stations of lower frequencies.



Start searching a station.
While searching stations, "SEEK" appears on the display.
When a station is received, searching stops.



To stop searching before a station is received, press the same button you have pressed for searching.

To tune in a particular frequency without searching:

- 1 Press TUNER/BAND repeatedly to select the band (FM or AM).
- 2 Press and hold SSM \blacktriangleleft or SSM \blacktriangleright until "MANU" starts flashing on the display. Now you can manually change the frequency while "MANU" is flashing.
- 3 Press SSM \blacktriangleleft or SSM \blacktriangleright repeatedly until the frequency you want is reached.
 - If you hold down the button, the frequency keeps changing until you release the button.

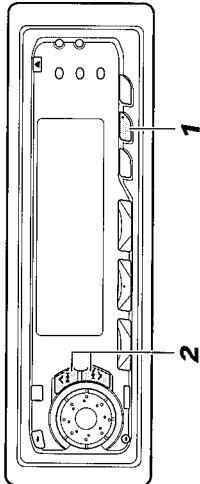
Storing stations in memory

You can use one of the following two methods to store broadcasting stations in memory.

- Automatic preset of FM stations: SSM (Strong-station Sequential Memory)
- Manual preset of both FM and AM stations

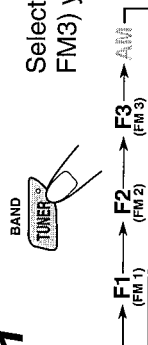
FM station automatic preset: SSM

You can preset 6 local FM stations in each FM band (FM1, FM2, and FM3).



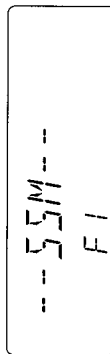
1

Select the FM band number (FM1, FM2 or FM3) you want to store FM stations into.



2

Press and hold both buttons for more than 3 seconds.



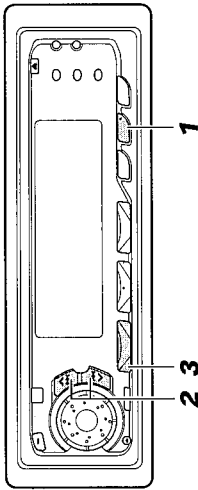
"SSM" appears, then disappears when automatic preset is over.

Local FM stations with the strongest signals are searched and stored automatically in the band number you have selected (FM1, FM2 or FM3). These stations are preset in the number buttons — No. 1 (lowest frequency) to No. 6 (highest frequency).
When automatic preset is over, the station stored in number button 1 will be automatically tuned in.

ENGLISH

Manual preset

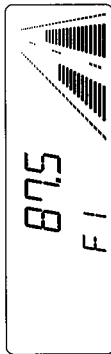
You can preset up to 6 stations in each band (FM1, FM2, FM3 and AM) manually.
EXAMPLE: Storing an FM station of 88.3 MHz into the preset number 1 of the FM1 band



1

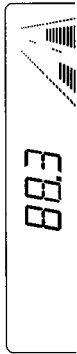


Select the FM1 band.



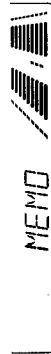
2

Tune into a station of 88.3 MHz.
See page 5 to tune into a station.

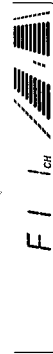


3

Press and hold the button for more than 1 second.



Preset number and "MEMO" flashes alternately for a while.



4

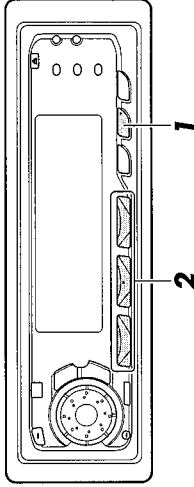
Repeat the above procedure to store other stations into other preset numbers.

Notes:

- A previously preset station is erased when a new station is stored in the same preset number.
- Preset stations are erased when the power supply to the memory circuit is interrupted (for example, during battery replacement). If this occurs, preset the stations again.

Tuning into a preset station

You can easily tune into a preset station.
Remember that you must store stations first. If you have not stored them yet, see pages 6 and 7.



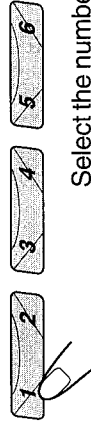
1



Select the band (FM1, FM2, FM3 or AM) you want.



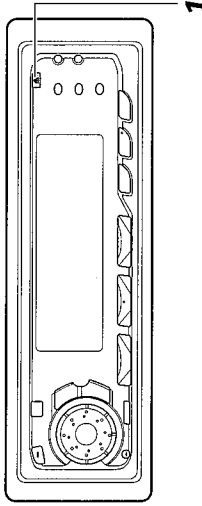
2



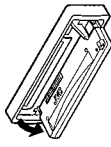
Select the number (1 - 6) for the preset station you want.

CD OPERATIONS

Playing a CD



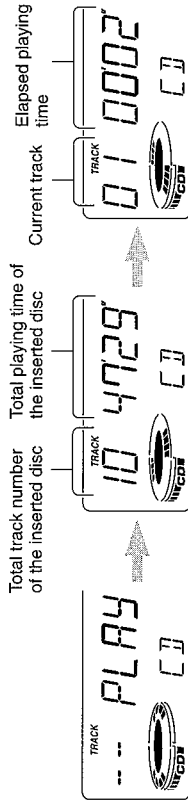
- 1 Open the control panel.



2. 1. Insert a disc into the loading slot.
The unit turns on, draws a CD and starts playback automatically.
2. Close the control panel by hand.



- When a CD is inserted upside down, "PLEASE EJECT" appears on the display. When you open the control panel by pressing ▲, the CD automatically ejects.

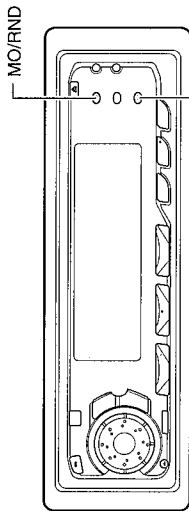


Note on One-Touch Operation:
When a CD is already in the loading slot, pressing CD turns on the unit and starts playback automatically.

To stop play and eject the CD

- Press ▲.
- CD play stops, the control panel opens, then the CD automatically ejects from the loading slot.
- If you change the source to AM/FM or CD changer, the CD play also stops (without ejecting the CD this time).
- If the ejected disc is not removed for about 15 seconds, the disc is automatically inserted again into the loading slot to protect it from dust. (CD play will not start this time.)
 - You can eject the CD even when the unit is turned off.

Other convenient tuner functions



SCAN/INT (for KD-SX939)
SCAN (for KD-SX930)

Scanning broadcast stations

When you press SCAN/INT (Scan/Intro) for KD-SX939 or SCAN for KD-SX930 while listening to the radio, station scanning starts. Each time a broadcast is tuned in, scanning stops for about 5 seconds ("SCAN" flashes on the display), and you can check what program is now being broadcast.

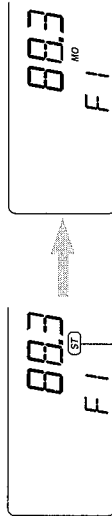
If you want to listen to that program, press the same button again to stop scanning.

Selecting FM reception sound

When an FM stereo broadcast is hard to receive:

Press MO/RND (Mono/Random) while listening to an FM stereo broadcast so that the MO indicator lights up on the display.

The sound you hear becomes monaural but reception will be improved.



Lights up when receiving an FM broadcast in stereo.

To restore the stereo effect, press the same button again.

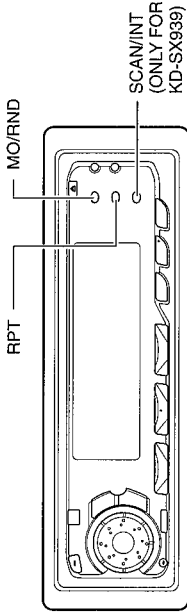
When using this unit in an area other than North or South America:

You need to change the AM/FM channel intervals. See "Changing the AM/FM channel intervals" on page 19.

ENGLISH

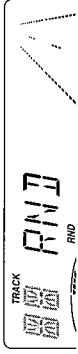


Selecting CD playback modes



To play back tracks at random (Random Play)

You can play back all tracks on the CD at random. Each time you press MO/RND (Mono/Random) while playing a CD, Random Play mode turns on and off alternatively. When Random Play is turned on, the RND indicator lights up on the display and a track randomly selected starts playing.



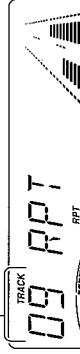
To play back tracks repeatedly (Repeat Play)

You can play back the current track repeatedly. Each time you press RPT (Repeat) while playing a CD, Repeat Play mode turns on and off alternatively.



When Repeat Play is turned on, the RPT indicator lights up on the display.

Track number of the currently playing track



To play back the beginning of each track (Intro Play)

This function is ONLY FOR KD-SX939.

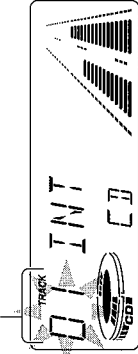
You can play back the first 15 seconds of each track in sequence. So you can check what tunes are in the CD.

When you press SCAN/INT (Scan/Intro) while playing a CD, Intro Play starts. During Intro Play, the track number of the current playing track flashes on the display.

To stop Intro Play and start playing the current track, press SCAN/INT again.



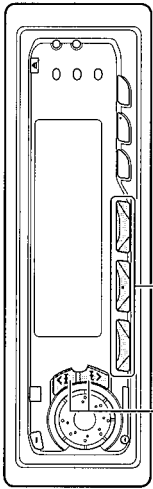
Track number of the currently playing track



ENGLISH



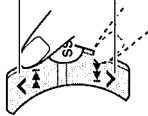
Locating a track or a particular portion on a CD



SSM ▶▶▶ ◀ Number buttons

To fast forward or reverse the track

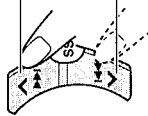
Press and hold SSM ▶▶▶ ◀, while playing a CD, to fast forward the track.



Press and hold SSM ◀◀◀ ▶, while playing a CD, to reverse the track.

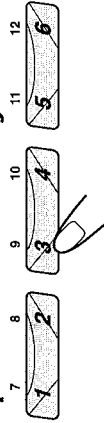
To go to the next track or the previous track

Press SSM ▶▶▶ ◀ briefly, while playing a CD, to go ahead to the beginning of the next track. Each time you press the button consecutively, the beginning of the next track is located and played back.



Press SSM ◀◀◀ ▶ briefly, while playing a CD, to go back to the beginning of the current track. Each time you press the button consecutively, the beginning of the previous track is located and played back.

To go to a particular track directly



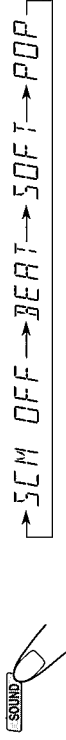
Press the number button corresponding to the track number to start its play/back.

- To select a track number from 1 - 6: Press 1 (7) - 6 (12) briefly.
- To select a track number from 7 - 12: Press and hold 1 (7) - 6 (12) for more than 1 second.

SOUND ADJUSTMENTS

Selecting preset sound modes

You can select a preset sound adjustment suitable to the music genre. Each time you press SOUND, the sound mode changes as follows.



Indication	For:	Preset values		
		Bass	Treble	Loudness
SCM OFF (Flat sound)		00	00	On
BEAT	Rock or disco music	+02	00	On
SOFT	Quiet background music	+01	-03	Off
POP	Light music	+04	+01	Off

Notes:

- You can adjust the preset sound mode to your preference, and store it in memory. If you want to adjust and store your original sound mode, see "Storing your own sound adjustments" on page 16.
- To adjust only the bass and treble reinforcement levels to your preference, see "Adjusting the sound" on page 15.

Turning on/off the loudness function

The human ear is less sensitive to low and high frequencies at low volumes. The loudness function can boost these frequencies to produce a well-balanced sound at low volume levels.

For KD-SX930:

Each time you press LOUD, the loudness function turns on and off alternatively.

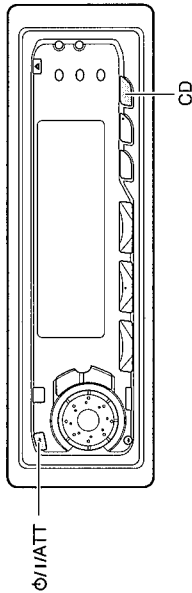


For KD-SX939:

See "Adjusting the sound" on the next page to turn on and off the loudness function.

ENGLISH

Other convenient CD functions



Prohibiting CD ejection

You can prohibit CD ejection and "lock" a CD in the loading slot.

While holding CD, press ⊕/⊖/ATT for more than 2 seconds. "EJECT" flashes on the display for about 5 seconds, and the CD is "locked."

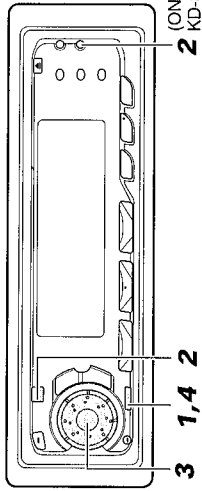


To cancel the prohibition and "unlock" the CD, press ⊕/⊖/ATT again for more than 2 seconds, while holding CD. "EJECT" appears on the display, and the CD is "unlocked."



Storing your own sound adjustments

You can adjust the sound modes (BEAT, SOFT, POP; see page 14) to your preference and store your own adjustments in memory.



- 1 Call up the sound mode you want to adjust. See page 14 for details.
- 2 Select "BAS (bass)," "TRE (treble)" or "LOUD (loudness: for KD-SX939)."
 To select and change the loudness setting for KD-SX930, press LOUD (see page 14), and go to step 4.
- 3 Adjust the selected item. See page 15 for details.
- 4 Press and hold SOUND until "MEMO" appears and starts flashing on the display. Your setting is stored in memory.

- 5 Repeat the same procedure to store other settings.

To reset to the factory settings

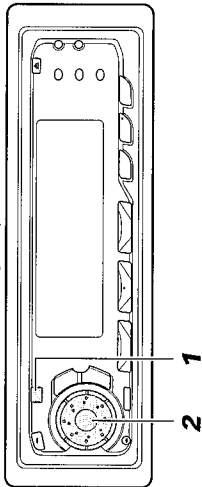
Repeat the same procedure and reassign the preset values listed in the table on page 14.

ENGLISH



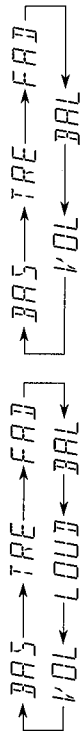
Adjusting the sound

You can adjust the sound characteristics to your preference.



- 1 Select the item you want to adjust.

For KD-SX939



For KD-SX930

Indication	To do:	Range
BAS (bass)	Adjust the bass	-06 (min.) — +06 (max.)
TRE (treble)	Adjust the treble	-06 (min.) — +06 (max.)
FAD (Fader)*	Adjust the front and rear speaker balance	R06 (rear only) — F06 (front only)
BAL (Balance)	Adjust the left and right speaker balance	L06 (left only) — R06 (right only)
LOUD** (Loudness)	Turn on or off the loudness function	ON — OFF
VOL (Volume)	Adjust the volume	00 (min.) — 50 (max.)

Note:

* If you are using a two-speaker system, set the fader level to "00" (center).

** ONLY FOR KD-SX939. See also "Turning on/off the loudness function" on the previous page.

- 2 Adjust the level.

Note:

Normally the control dial work as the volume control. So you do not have to select "VOL" to adjust the volume level.

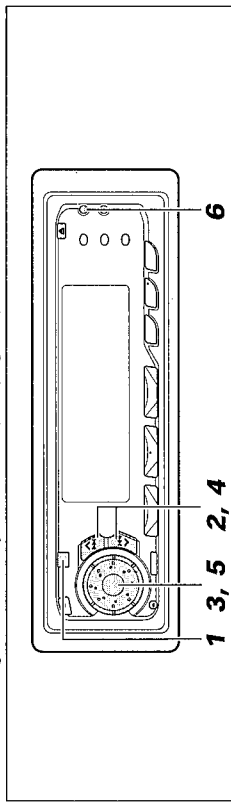
OTHER MAIN FUNCTIONS



Changing general settings (PSM)

You can change the following settings for this unit by using the PSM (Preferred Setting Mode) control.

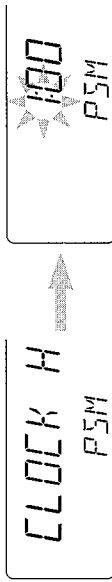
- **CLOCK H** and **CLOCK M**: Adjusts the built-in clock (see below).
- **LEVEL**: Changes the level indicator mode on the display (see page 18).
- **DIMMER**: Selects the dimmer mode (see page 18).
- **AREA**: Changes the FM/AM channel interval (see page 19).
- **BEEP**: Turning on/off the key-touch tone (see page 19).



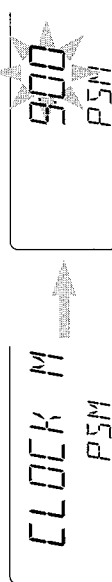
Setting the clock

After installation, set the built-in clock correctly.

- 1 Press SEL (Select) for more than 2 seconds. One of the PSM items appears on the display.
- 2 If "CLOCK H" does not appear, press SSM $\blacktriangleright\blacktriangleright\blacktriangleright$ or SSM $\blacktriangleleft\blacktriangleleft\blacktriangleleft$ until it appears.



- 3 Rotate the control dial to adjust the hour.
- 4 Press SSM $\blacktriangleright\blacktriangleright\blacktriangleright$ or SSM $\blacktriangleleft\blacktriangleleft\blacktriangleleft$ until "CLOCK M" appears.



- 5 Rotate the control dial to adjust the minute.
- 6 Press DISP to start clock.

ENGLISH



To check the current clock time (changing the display mode)

Press DISP repeatedly. Each time you press the button, the display mode changes as follows.

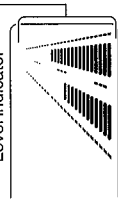
During tuner operation: Frequency $\blacktriangleleft\blacktriangleright$ → Clock	During CD operation: Elapsed playing time $\blacktriangleleft\blacktriangleright$ → Clock
--	--

- If the unit is not in use when you press DISP, the power turns on, the clock time is shown for 5 seconds, then the power turns off.

Changing the level indicator mode

When shipped from the factory, the level indicator on the display shows the audio level. You can change it to show the audio level or volume level.

- **AUDIO**: Audio level indicator
- **OFF**: Volume level indicator



- 1 Press SEL for more than 2 seconds. One of the PSM items appears on the display.
- 2 If "LEVEL" does not appear, press SSM $\blacktriangleright\blacktriangleright\blacktriangleright$ or SSM $\blacktriangleleft\blacktriangleleft\blacktriangleleft$ until it appears.



- 3 Rotate the control dial clockwise or counterclockwise to select the level indicator mode you want to use.

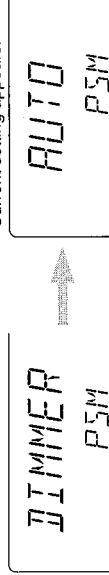
Selecting the dimmer mode

When you turn on the car head lights, the display automatically dims (Auto Dimmer). When shipped from the factory, Auto Dimmer function has been activated.

If you want to cancel this function, follow the procedure below and select "OFF."

- **AUTO**: Activates Auto Dimmer
- **ON**: Always dims the display
- **OFF**: Cancels Auto Dimmer

- 1 Press SEL for more than 2 seconds. One of the PSM items appears on the display.
- 2 If "DIMMER" does not appear, press SSM $\blacktriangleright\blacktriangleright\blacktriangleright$ or SSM $\blacktriangleleft\blacktriangleleft\blacktriangleleft$ until it appears.



- 3 Rotate the control dial clockwise or counterclockwise to turn on or off Auto Dimmer.



Changing the AM/FM channel intervals

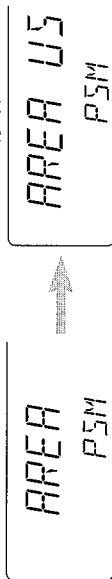
When this unit is shipped from the factory, the channel intervals are set to 10 kHz for AM and 200 kHz for FM (AREA US settings). You will have to change the channel intervals when using this unit in an area other than North America and South America.

- **AREA EU:** Select this when using this unit in an area other than North and South America. (9 kHz for AM and 50 kHz (for manual tuning) / 100 kHz (for searching) for FM)
- **AREA US:** Select this when using this unit in North or South America. (10 kHz for AM and 200 kHz for FM)

1 Press SEL for more than 2 seconds.

One of the PSM items appears on the display.

- 2 If "AREA" does not appear, press SSM **▶▶▶** **▲** or SSM **◀◀◀** **▼** until it appears.
Current setting appears.



3 Rotate the control dial clockwise or counterclockwise to select the correct channel intervals.

Turning on or off the key-touch tone

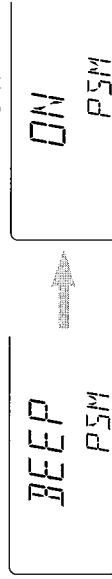
You can deactivate the key-touch tone if you do not want to make it beep when pressing a button. (When shipped from the factory, the key-touch tone is activated.)

- **ON:** The key-touch tone is activated.
- **OFF:** The key-touch tone is deactivated.

1 Press SEL for more than 2 seconds.

One of the PSM items appears on the display.

- 2 If "BEEP" does not appear, press SSM **▶▶▶** **▲** or SSM **◀◀◀** **▼** until it appears.
Current setting appears.

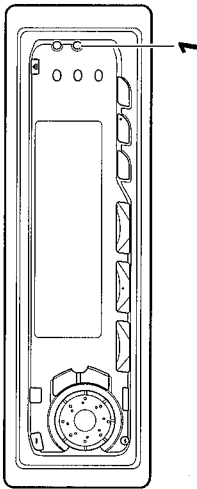


3 Rotate the control dial clockwise or counterclockwise to turn on or off the key-touch tone.

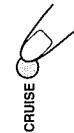
Controlling the volume automatically

This function is **ONLY FOR KD-SX939**.

This unit change the volume level automatically (at 3 possible levels) based on the driving speed of your car by detecting the alternator's generating frequency (Audio Cruise). If you want to use this function, follow the procedures below. (When shipped from the factory, this mode is set to "OFF.")

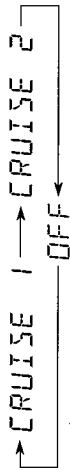


1



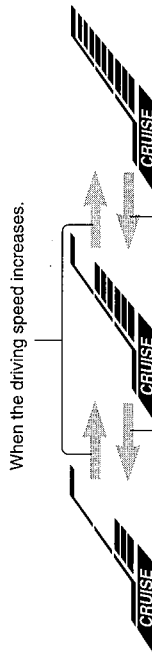
Select the proper cruise mode for your car.

- Each time you press the button, the Audio Cruise mode changes as follows.



- **CRUISE 1:** Select this if your car is relatively quiet.
- **CRUISE 2:** Select this if your car is relatively loud.
The volume increase rate is twice as much as that of the CRUISE 1 setting.
- **OFF:** Cancels Audio Cruise.

When this function is turned on (the CRUISE indicator lights up on the display), the proper volume level is automatically selected among the 3 possible levels according to the driving speed, and the selected level is shown on the display.



When the driving speed increases.

When the driving speed decreases.

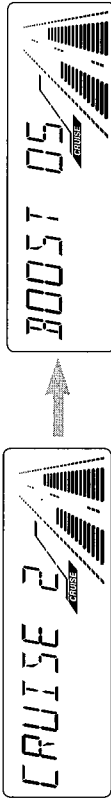
ENGLISH



To adjust the volume increase rate

If you find Audio Cruise increase (or decrease) the volume either too much or too little as the driving speed changes. You can adjust the increase rate by changing the boost level. To change it, follow the procedure below.

- 1 Press CRUISE to select either "CRUISE 1" or "CRUISE 2."
- 2 Press and hold CRUISE until the maximum boost level appears on the display.



Ex. When you have selected "CRUISE 2"

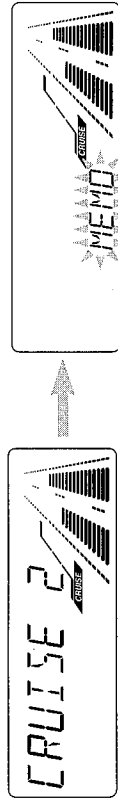
- 3 Rotate the control dial, while the maximum boost level is shown on the display, to change the boost level (among 1 to 15) as you want.
 - To increase the volume increase rate, rotate it clockwise.
 - To decrease the volume increase rate, rotate it counterclockwise.

If Audio Cruise does not function correctly

You may need to store the idling speed into memory to make Audio Cruise function correctly.

NOTICE that a number of factors, such as electric power steering, wipers, power windows, air conditioner, etc. do generate noises and, as a result, may cause Audio Cruise not to function correctly. If this is the main cause of malfunction, connect the memory backup lead (yellow lead) directly to the car battery to prevent these noises from affecting Audio Cruise.

- 1 Start the engine and let it warm up.
- 2 Press CRUISE to select either "CRUISE 1" or "CRUISE 2."
- 3 Press and hold CRUISE and SEL for more than 2 seconds to store the idling speed into memory.



Ex. When you have selected "CRUISE 2"

When the setting is complete, the unit automatically checks to see if Audio Cruise functions correctly with this new idling setting. If it does not function correctly, Audio Cruise is canceled automatically and the idling setting becomes invalid.

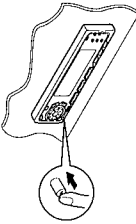
- If this happens, see the NOTICE above.

Detaching the control panel

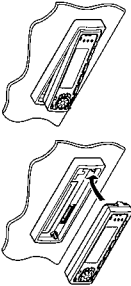
You can detach the control panel when leaving the car. When detaching or attaching the control panel, be careful not to damage the connectors on the back of the control panel and on the panel holder.

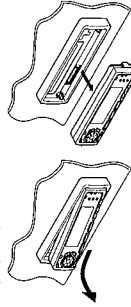
How to detach the control panel

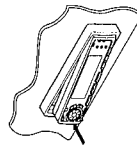
Before detaching the control panel, be sure to turn off the power.

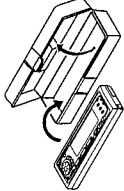
- 1 Unlock the control panel.
 

How to attach the control panel

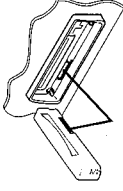
- 1 Insert the right side of the control panel into the groove on the panel holder.
 

- 2 Pull the control panel out of the unit.
 

- 2 Press the left side of the control panel to fix it to the panel holder.
 

- 3 Put the detached control panel into the provided case.
 

Note on cleaning the connectors:
If you frequently detach the control panel, the connectors will deteriorate. To minimize this possibility, periodically wipe the connectors with a cotton swab or cloth moistened with alcohol, being careful not to damage the connectors.



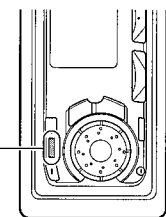
Connectors

ENGLISH



REMOTE OPERATIONS

Remote sensor

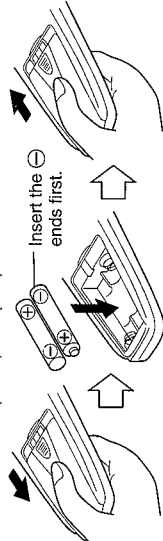


Before using the remote controller:

- Aim the remote controller directly at the remote sensor on the main unit. Make sure there is no obstacle in between.
- Do not expose the remote sensor to strong light (direct sunlight or artificial lighting).

Installing the batteries

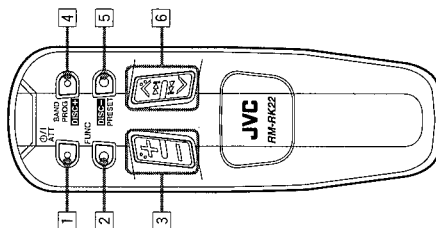
R03(UM-4)/AAA(24F)



When the controllable range or effectiveness of the remote controller decreases, replace the batteries – R03(UM-4)/AAA(24F).

Using the remote controller

- 1 Functions the same as the ϕ /I/ATT button on the main unit.
- 2 Select the source.
- 3 Each time you press FUNC (function), the source changes. Functions the same as the control dial on the main unit.
- 4 Does not function for the PSM adjustments. Functions as the BAND button while listening to the radio. Each time you press the button, the band changes. Functions as the DISC + button while listening to the CD changer. Each time you press the button, the disc number increases, and selected disc starts playing.
- 5 Does not function as the PROG button. Functions as the PRESET button while listening to the radio. Each time you press the button, the preset station number increases, and selected station is tuned in. Functions as the DISC – button while listening to the CD changer. Each time you press the button, the disc number decreases, and selected disc starts playing.
- 6 Searches stations while listening to the radio. Fast forwards or reverses the track if pressed and held while listening to the CD. Skips to the beginning of the next tracks or go back to the beginning of the current (or previous tracks) if pressed briefly while listening to the CD.



CD CHANGER OPERATIONS

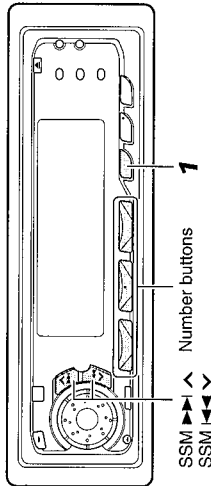
We recommend that you use one of the CH-X series with your unit.

If you have another CD automatic changer, consult your JVC car audio dealer for connections. For example, if your CD automatic changer is one of the KD-MK series, you need a cord (KS-U15K) for connecting it to this unit.

Before operating your CD automatic changer:

- Refer also to the instructions supplied with your CD changer.
- If no discs are in the magazine of the CD changer or the discs are inserted upside down, "NO DISC" will appear on the display. If this happens, remove the magazine and set the discs correctly.
- If "RESET" – RESET 8" appears on the display, something is wrong with the connection between this unit and the CD changer. If this happens, check the connection, connect the connecting cord(s) firmly if necessary, then press the reset button of the CD changer.

Playing CDs

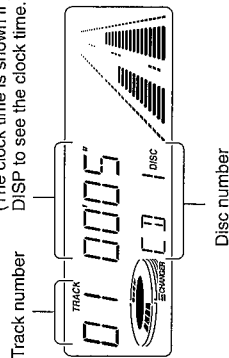


1

Select the CD automatic changer.

Playback starts from the first track of the first disc. All tracks of all discs are played back.

Elapsed playing time
(The clock time is shown if you have pressed DISP to see the clock time. See page 18.)

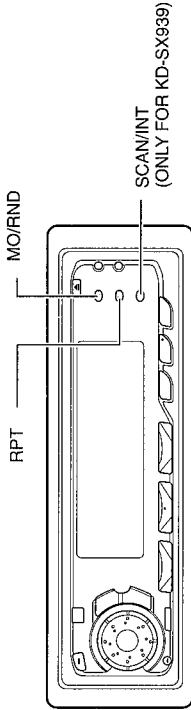


Note on One-Touch Operation:

When you press CD-CH, the power automatically comes on. You do not have to press ϕ /I/ATT to turn on the power.



Selecting CD playback modes



To play back tracks at random (Random Play)

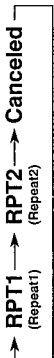
Each time you press MO/RND (Mono/Random) while playing a CD, Random Play mode changes as follows:



Mode	RND indicator	Plays at random
RND1	Lights	All tracks of the current disc, then the tracks of the next disc, and so on.
RND2	Flashes	All tracks of all discs inserted in the magazine.

To play back tracks repeatedly (Repeat Play)

Each time you press RPT (Repeat) while playing a CD, Repeat Play mode changes as follows:



Mode	RPT indicator	Plays repeatedly
RPT1	Lights	The current track (or specified track).
RPT2	Flashes	All tracks of the current disc (or specified disc).

To play back the beginning of each track (Intro Play)

This function is ONLY FOR KD-SX939.

Each time you press SCAN/INT (Scan/Intro) while playing a CD, Intro Play mode changes as follows:



Mode	Indication	Plays the beginnings (15 seconds)
INT1	Track number flashes.	Of all tracks on all inserted discs.
INT2	Disc number flashes.	Of the first track on each inserted disc.



To fast forward or reverse the track

Press and hold SSM $\blacktriangleright\blacktriangleright\blacktriangleright$ \blacktriangleleft , while playing a CD, to fast forward the track.

Press and hold SSM $\blacktriangleleft\blacktriangleleft\blacktriangleleft$ \blacktriangleright , while playing a CD, to reverse the track.

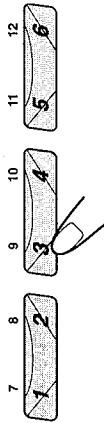
ENGLISH

To go to the next track or the previous track

Press SSM $\blacktriangleright\blacktriangleright$ \blacktriangleleft briefly, while playing a CD, to go ahead to the beginning of the next track. Each time you press the button consecutively, the beginning of the next track is located and played back.

Press SSM $\blacktriangleleft\blacktriangleleft$ \blacktriangleright briefly, while playing a CD, to go back to the beginning of the current track. Each time you press the button consecutively, the beginning of the previous track is located and played back.

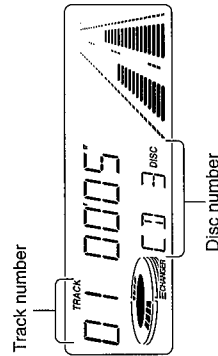
To go to a particular disc directly



Press the number button corresponding to the disc number to start its playback (while the CD changer is playing).


- To select a disc number from 1 - 6: Press 1 (7) - 6 (12) briefly.
- To select a disc number from 7 - 12: Press and hold 1 (7) - 6 (12) for more than 1 second.

Ex. When disc number 3 is selected



MAINTENANCE ?

Handling CDs

This unit has been designed only to play back CDs bearing the  mark. Other discs cannot be played back.

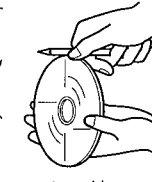
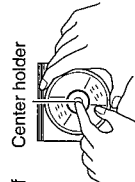
How to handle CDs

When removing a CD from its case, press down the center holder of the case and lift the CD out, holding it by the edges.

- Always hold the CD by the edges. Do not touch its recording surface.

When storing a CD into its case, gently insert the CD around the center holder (with the printed surface facing up).

- Make sure to store CDs into the cases after use.



To keep CDs clean

A dirty CD may not play correctly. If a CD does become dirty, wipe it with a soft cloth in a straight line from center to edge.

To play new CDs

New CDs may have some rough spots around the inner and outer edges. If such a CD is used, this unit may reject the CD. To remove these rough spots, rub the edges with a pencil or ball-point pen, etc.

Moisture condensation

Moisture may condense on the lens inside the CD player in the following cases:

- After starting the heater in the car.
 - If it becomes very humid inside the car.
- Should this occur, the CD player may malfunction. In this case, eject the CD and leave the unit turned on for a few hours until the moisture evaporates.

CAUTIONS:

- Do not insert 8cm (3 3/16") CDs (single CDs) into the loading slot. (Such CDs cannot be ejected.)
- Do not insert any CD of unusual shape — like a heart or flower; otherwise, it will malfunction.
- Do not expose CDs to direct sunlight or any heat source or place them in a place subject to high temperature and humidity. Do not leave them in a car.
- Do not use any solvent (for example, conventional record cleaner, spray, thinner, benzine, etc.) to clean CDs.

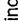

About mistracking:

Mistracking may result from driving on extremely rough roads. This does not damage the unit and the CD, but will be annoying. We recommend that you stop CD play while driving on such rough roads.



TROUBLESHOOTING

What appears to be trouble is not always serious. Check the following points before calling a service center.

Symptoms	Causes	Remedies
• CD cannot be played back.	CD is inserted upside down.	Insert the CD correctly.
• CD sound is sometimes interrupted.	You are driving on rough roads. CD is scratched.	Stop CD play while driving on rough roads. Change the CD.
• Sound cannot be heard from the speakers.	Connections are incorrect. The volume control is turned to the minimum level. Connections are incorrect.	Check the cords and connections. Adjust it to the optimum level.
• SSM (Strong-station Sequential Memory) automatic preset does not work.	Signals are too weak.	Check the cords and connections. Store stations manually.
• Static noise while listening to the radio.	The antenna is not connected firmly.	Connect the antenna firmly.
• "NO DISC" appears on the display.	No CD is in the loading slot (or in the magazine). CD is inserted incorrectly.	Insert CD. Insert it correctly.
• "RESET 8" appears on the display.	This unit is not connected to a CD changer correctly.	Connect this unit and the CD changer correctly and press the reset button of the CD changer.
• "RESET 1 - RESET 7" appears on the display.		Press the reset button of the CD changer.
• CD can be neither played back nor ejected.	The CD player may function incorrectly.	Press CD and SEL at the same time for more than 2 seconds. ("PLEASE EJECT" appears on the display.) When you open the control panel by pressing  , be careful not to drop the CD when it ejects.
• The unit does not work at all.	The built-in microcomputer may function incorrectly due to noise, etc.	Press  /I/ATT and SEL at the same time for more than 2 seconds to reset the unit. (The clock setting and preset stations stored in memory are erased.)



Printed in Singapore
1297MMMDWJES

EN, SP, FR

SPECIFICATIONS

ENGLISH

AUDIO AMPLIFIER SECTION

Maximum Power Output:
 Front: 40 watts per channel
 Rear: 40 watts per channel
 Continuous Power Output (RMS):
 Front: 16 watts per channel into 4 Ω, 40 to 20,000 Hz at no more than 0.8% total harmonic distortion.
 Rear: 16 watts per channel into 4 Ω, 40 to 20,000 Hz at no more than 0.8% total harmonic distortion.
 Load Impedance: 4 Ω (4 to 8 Ω allowance)
 Tone Control Range:
 Bass: ±10 dB at 100 Hz
 Treble: ±10 dB at 10 kHz
 Frequency Response: 40 to 20,000 Hz
 Signal-to-Noise Ratio: 70 dB
 Line-Out Level/Impedance: 2.0 V/20 kΩ load (full scale)
 Output Impedance: 1 kΩ

CD PLAYER SECTION

Type: Compact disc player
 Signal Detection System: Non-contact optical pickup (semiconductor laser)
 Number of channels: 2 channels (stereo)
 Frequency Response: 5 to 20,000 Hz
 Dynamic Range:
 KD-SX939: 96 dB
 KD-SX930: 95 dB
 Signal-to-Noise Ratio:
 KD-SX939: 98 dB
 KD-SX930: 97 dB
 Wow and Flutter: Less than measurable limit

GENERAL

Power Requirement:
 Operating Voltage: DC 14.4 volts (11 to 16 volts allowance)
 Grounding System: Negative ground
 Dimensions (W x H x D):
 Installation Size: 182 x 52 x 150 mm (7-3/16" x 2-1/16" x 5-15/16")
 Panel Size: 188 x 58 x 14 mm (7-7/16" x 2-5/16" x 5/8")
 Mass: 1.4 kg (3.1 lbs) (excluding accessories)

Design and specifications subject to change without notice.

If a kit is necessary for your car, consult your telephone directory for the nearest car audio speciality shop.

TUNER SECTION

Frequency Range:
 FM: 87.5 to 107.9 MHz (with channel interval set to 200 kHz)
 87.5 to 108.0 MHz (with channel interval set to 50 kHz)
 AM: 530 to 1,710 kHz (with channel interval set to 10 kHz)
 531 to 1,602 kHz (with channel interval set to 9 kHz)

[FM Tuner]

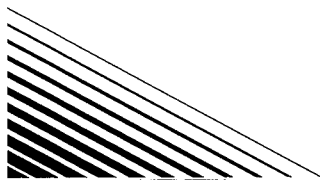
Usable Sensitivity: 11.3 dBf (1.0 μV/75 Ω)
 50 dB Quieting Sensitivity:
 16.3 dBf (1.8 μV/75 Ω)
 Alternate Channel Selectivity (400 kHz): 65 dB
 Frequency Response: 40 to 15,000 Hz
 Stereo Separation: 35 dB
 Capture Ratio: 1.5 dB

[AM Tuner]

Sensitivity: 20 μV
 Selectivity: 35 dB

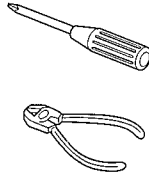


VICTOR COMPANY OF JAPAN, LIMITED



JVC KD-SX939 KD-SX930

Installation/Connection Manual
Manual de instalación/conexión
Manuel d'installation/raccordement
VNN3831-T631S
[J]



Printed in Singapore
1297MNMMDWJES
EN, SP, FR

ENGLISH

• This unit is designed to operate on 12 volts DC, NEGATIVE ground electrical systems.

INSTALLATION (IN-DASH MOUNTING)

• The following illustration shows a typical installation. However, you should make adjustments corresponding to your specific car. If you have any questions or require information regarding installation kits, consult your JVC car audio dealer or a company supplying kits.

- 1 Before mounting:** Press (Control Panel Release button) to detach the control panel.
- 2** Remove the trim plate.
- 3** Remove the sleeve after disengaging the sleeve locks.
 - ① Stand the unit.
 - Note:** When you stand the unit, be careful not to damage the fuse on the rear.
 - ② Insert the 2 handles between the unit and the sleeve, as illustrated, to disengage the sleeve locks.
 - ③ Remove the sleeve.
 - Note:** Be sure to keep the handles for future use after installing the unit.
- 4** Install the sleeve into the dashboard.
 - * After the sleeve is correctly installed into the dashboard, bend the appropriate tabs to hold the sleeve firmly in place, as illustrated.
- 5** Fix the mounting bolt to the rear of the unit's body and place the rubber cushion over the end of the bolt.
- 6** Do the required electrical connections explained on the back of this instructions.
- 7** Slide the unit into the sleeve until it is locked.
- 8** Attach the trim plate.
- 9** Attach the control panel.

ESPAÑOL

• Esta unidad está diseñada para funcionar con 12 voltios de C.C. con sistemas eléctricos de masa NEGATIVA.

INSTALACION (MONTAJE EN EL TABLERO DE INSTRUMENTOS)

• La siguiente ilustración muestra una instalación típica. Sin embargo usted deberá efectuar los ajustes correspondientes a su automóvil. Si tiene alguna pregunta o necesita información acerca de las herramientas para instalación, consulte con su concesionario de JVC de equipos de audio para automóviles o a una compañía que suministra tales herramientas.

- 1 Antes de instalar:** Presione (botón de liberación del panel de control) para desmontar el panel de control.
- 2** Retire la placa de guarnición.
- 3** Retire la manga después de desenganchar los retenes de la manga.
 - ① Ponga la unidad vertical.
 - Nota:** Al poner la unidad vertical, tenga cuidado de no dañar el fusible provisto en la parte posterior.
 - ② Inserte las dos asas entre la unidad y la manga tal como en la ilustración y desenganche los retenes de la manga.
 - ③ Retire la manga.
 - Nota:** Después de instalar la unidad, asegúrese de guardar las asas para uso futuro.
- 4** Instale la cubierta en el tablero de instrumentos.
 - * Después de que la manga esté correctamente instalada en el tablero de instrumentos, doble las lengüetas correspondientes para sostener la manga firmemente en su lugar, tal como se muestra.
- 5** Fije el perno de montaje o la parte trasera del cuerpo de la unidad y coloque el cojin de goma sobre el extremo del perno.
- 6** Realice las conexiones eléctricas requeridas en base a las explicaciones que figuran en la parte de atrás de estas instrucciones.
- 7** Deslice la unidad dentro de la manga hasta que quede trabada.
- 8** Coloque la placa de guarnición.
- 9** Coloque el panel de control.

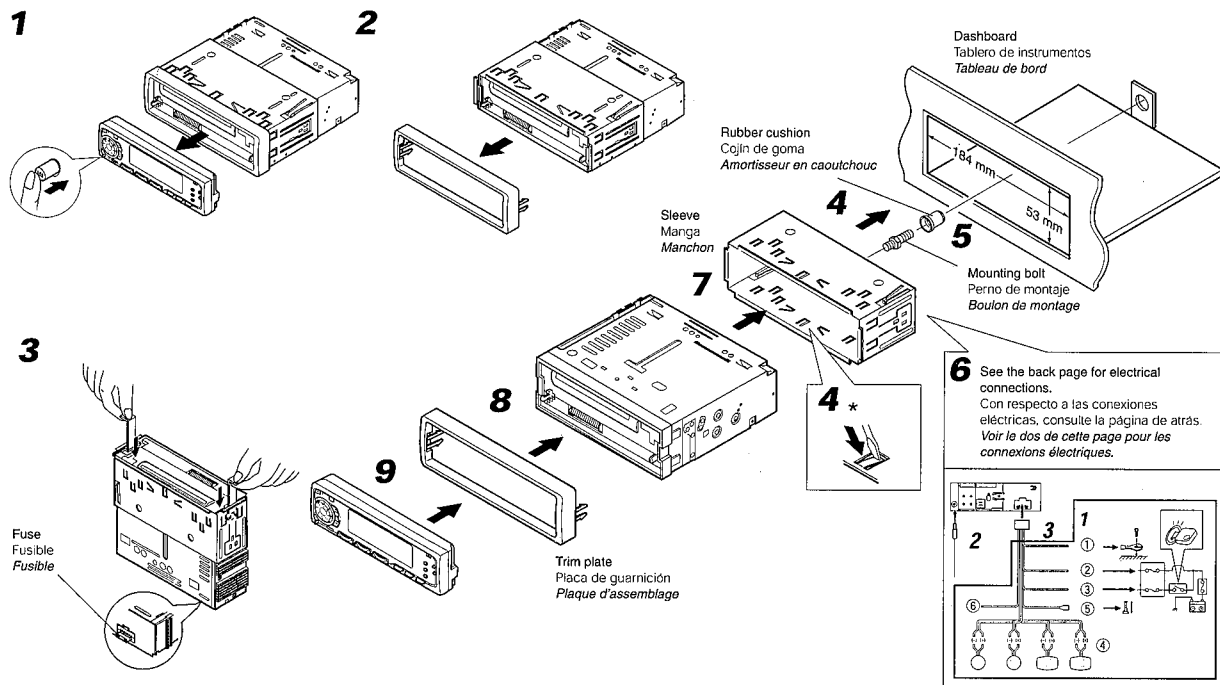
FRANÇAIS

• Cet appareil est conçu pour fonctionner sur des sources de courant continu de 12 volts à masse NEGATIVE.

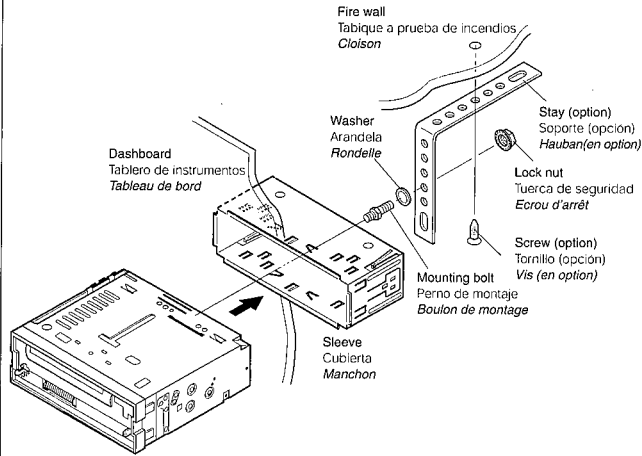
INSTALLATION (MONTAGE DANS LE TABLEAU DE BORD)

• L'illustration suivante est un exemple d'installation typique. Cependant, vous devez faire les ajustements correspondant à votre voiture particulière. Si vous avez des questions ou avez besoin d'information sur des kits d'installation, consultez votre revendeur d'autoradios JVC ou une compagnie d'approvisionnement.

- 1 Avant le montage:** Appuyer sur (touche de libération du panneau de commande) pour détacher le panneau de commande.
- 2** Retirer la plaque d'assemblage.
- 3** Libérer les verrous du manchon et retirer le manchon.
 - ① Poser l'appareil à la verticale.
 - Remarque:** Lorsque vous mettez l'appareil à la verticale, faire attention de ne pas endommager le fusible situé sur le fond.
 - ② Insérer les 2 poignées entre l'appareil et le manchon comme indiqué pour désengager les verrous de manchon.
 - ③ Retirer le manchon.
 - Remarque:** S'assurer de garder les poignées pour une utilisation ultérieure, après l'installation de l'appareil.
- 4** Installer le manchon dans le tableau de bord.
 - * Après installation correcte du manchon dans le tableau de bord, plier les bonnes pattes pour maintenir fermement le manchon en place, comme montré.
- 5** Monter le boulon de montage sur l'arrière du corps de l'appareil puis passer l'amortisseur en caoutchouc sur l'extrémité du boulon.
- 6** Réaliser les connexions électriques expliquées au dos de cette page.
- 7** Faire glisser l'appareil dans le manchon jusqu'à ce qu'il soit verrouillé.
- 8** Fixer la plaque d'assemblage.
- 9** Remonter le panneau de commande.



- When using the optional stay
- Cuando emplea un soporte opcional
- Lors de l'utilisation du hauban en option

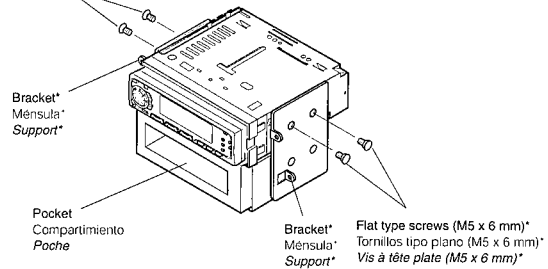


- When installing the unit without using the sleeve
- Instalación de la unidad sin utilizar la cubierta
- Lors de l'installation de l'appareil sans utiliser de manchon

In a Toyota for example, first remove the car radio and install the unit in its place.
En un Toyota por ejemplo, primero extraiga la radio del automóvil y luego instale la unidad en su lugar.
Par exemple dans une Toyota, retirer d'abord l'autoradio et installer l'appareil à la place.

Flat type screws (M5 x 6 mm)*
Tornillos tipo plano (M5 x 6 mm)*
Vis à tête plate (M5 x 6 mm)*

- * Not included with this unit.
- * No suministrado con esta unidad.
- * Non fourni avec cet appareil.



Note: When installing the unit on the mounting bracket, make sure to use the 6 mm-long screws. If longer screws are used, they could damage the unit.

Nota: Cuando instala la unidad en la mensula de montaje, asegúrese de utilizar los tornillos de 6 mm de longitud. Si se utilizan tornillos más largos, estos pueden dañar la unidad.

Remarque: Lors de l'installation de l'appareil sur le support de montage, s'assurer d'utiliser des vis d'une longueur de 6 mm. Si des vis plus longues sont utilisées, elles peuvent endommager l'appareil.

Removing the unit

- Before removing the unit, release the rear section.

- 1 Remove the control panel.
- 2 Remove the trim plate.
- 3 Insert the 2 handles into the slots, as shown. Then, while gently pulling the handles away from each other, slide out the unit. (Be sure to keep the handles after installing it.)

Extracción de la unidad

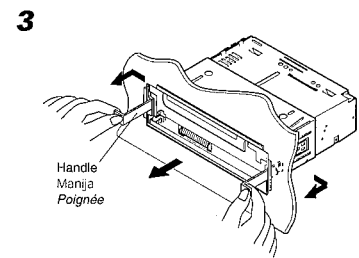
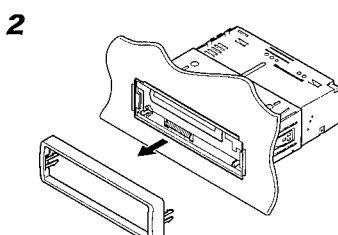
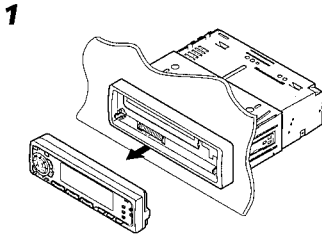
- Antes de extraer la unidad, libere la sección trasera.

- 1 Extraiga el panel de control.
- 2 Retire la placa de guarnición.
- 3 Inserte las 2 manijas entre las ranuras, como se muestra. Luego, separe gentilmente las manijas y extraiga la unidad. (Asegúrese de conservar las manijas después de instalarlo.)

Retrait de l'appareil

- Avant de retirer l'appareil, libérer la section arrière.

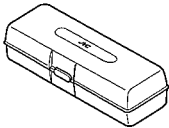
- 1 Retirer le panneau de commande.
- 2 Retirer la plaque d'assemblage.
- 3 Introduire les deux poignées dans les fentes, comme montré. Puis, tout en tirant doucement les poignées écartées, faire glisser l'appareil pour le sortir. (S'assurer de conserver les poignées après l'installation de l'appareil.)



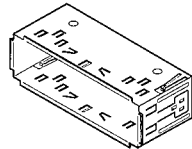
Parts list for installation and connection

The following parts are provided with this unit.
After checking them, please set them correctly.

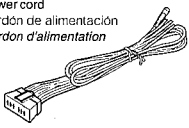
Hard case
Estuche duro
Etui de transport



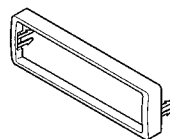
Sleeve
Cubierta
Manchon



Power cord
Cordón de alimentación
Cordon d'alimentation



Trim plate
Placa de guarnición
Plaque d'assemblage



Handles
Manijas
Poignées



Washer (ø5)
Arandela (ø5)
Rondelle (ø5)



Lock nut (M5)
Tuerca de seguridad (M5)
Ecrou d'arrêt (M5)



Mounting bolt (M5 x 20 mm)
Perno de montaje (M5 x 20 mm)
Boulon de montage (M5 x 20 mm)



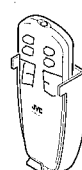
Rubber cushion
Cajín de goma
Amortisseur en caoutchouc



Batteries
Pilas
Piles
R03(UM-4)/AAA(24F)



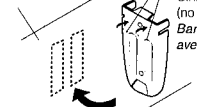
Remote controller and holder
Mando a distancia y soporte
Télécommande et support



Installation : Remote Controller Instalación : Mando a distancia Installation : Télécommande

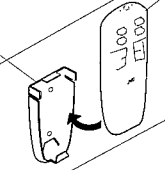
Dashboard, etc
Tablero de instrumentos, etc.
Tableau de bord, etc.

Double-faced tape (not included with this unit)
Cinta adhesiva de ambos lados (no suministrado con esta unidad)
Bande double face (non fourni avec cet appareil)



Remote controller
Mando a distancia
Télécommande

Holder
Soporte
Support



- Before attaching the double-faced tape, wipe and clean the place where you plan to attach it.
- Antes de adherir la cinta de doble cara, limpie el sitio de instalación con un paño.
- Avant d'attacher la bande double face, essuyez et nettoyez l'emplacement où vous projetez de l'attacher.

ENGLISH

ELECTRICAL CONNECTIONS

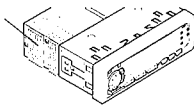
To prevent short circuits, we recommend that you disconnect the battery's negative terminal and make all electrical connections before installing the unit. If you are not sure how to install this unit correctly, have it installed by a qualified technician.

Note:

This unit is designed to operate on 12 volts DC, NEGATIVE ground electrical systems. If your vehicle does not have this system, a voltage inverter is required, which can be purchased at JVC car audio dealers.

- Replace the fuse with one of the specified rating. If the fuse blows frequently, consult your JVC car audio dealer.
- If noise is a problem... This unit incorporates a noise filter in the power circuit. However, with some vehicles, clicking or other unwanted noise may occur. If this happens, connect the unit's rear ground terminal (See connection diagram below.) to the car's chassis using shorter and thicker cords, such as copper braiding or gauge wire. If noise still persists, consult your JVC car audio dealer.
- Maximum input of the speakers should be more than 40 watts at the rear and 40 watts at the front, with an impedance of 4 to 8 ohms.
- Be sure to ground this unit to the car's chassis.
- The heat sink becomes very hot after use. Be careful not to touch it when removing this unit.

Heat sink
Sumidero térmico
Dissipateur de chaleur



ESPAÑOL

CONEXIONES ELECTRICAS

Para evitar cortocircuitos, recomendamos que desconecte el terminal negativo de la batería y que efectúe todas las conexiones eléctricas antes de instalar la unidad. Si usted no está seguro de cómo instalar correctamente la unidad, haga la instalación por un técnico cualificado.

Nota:

Esta unidad está diseñada para funcionar con 12 voltios de CC, con sistemas eléctricos de masa NEGATIVA. Si su vehículo no posee este sistema, será necesario un inversor de tensión, que puede ser adquirido en los concesionarios de JVC de equipos de audio para automóviles.

- Reemplace el fusible por uno con la corriente especificada. Si el fusible se quemase frecuentemente consulte con su concesionario de JVC de equipos de audio para automóviles.
- Si el ruido fuese un problema... Esta unidad tiene un filtro de ruido en el circuito de alimentación. Sin embargo, en algunos vehículos, pueden producirse chasquidos u otros ruidos indeseados. En tal caso conecte el terminal de tierra posterior (Ver diagrama de conexión abajo.) del receptor al chasis del automóvil, utilizando cordones mas gruesos y cortos tales como alambre de cobre trenzado o de grueso calibre. Si el ruido persiste, consulte a su concesionario de JVC de equipos de audio para automóvil.
- La entrada máxima de los altavoces traseros debe ser mayor de 40 vatios y de la de los delanteros de 40 vatios, con una impedancia de 4 a 8 ohmios.
- Asegúrese de conectar esta unidad a tierra en el chasis del automóvil.
- El sumidero térmico estará muy caliente después del uso. Asegúrese de no tocarlo al desmontar esta unidad.

FRANÇAIS

RACCORDEMENTS ELECTRIQUES

Pour éviter tout court-circuit, nous vous recommandons de débrancher la borne négative de la batterie et d'effectuer tous les raccordements électriques avant d'installer l'appareil. Si l'on n'est pas sûr de pouvoir installer correctement cet appareil, le faire installer par un technicien qualifié.

Remarque:

Cet appareil est conçu pour fonctionner sur des sources de courant continu de 12 volts à masse NEGATIVE. Si votre véhicule n'offre pas ce type d'alimentation, il vous faut un convertisseur de tension, que vous pouvez acheter chez un revendeur d'autoradios JVC.

- Remplacer le fusible par un de la valeur précisée. Si le fusible saute souvent, consulter votre revendeur d'autoradios JVC.
- Si le bruit est un problème... Cet appareil incorpore un filtre de bruit dans le circuit d'alimentation. Cependant, avec certains véhicules, quelques cliquements ou autres bruits non désirés risquent de se produire. Si cela arrive, raccorder la borne de masse arrière de l'appareil au châssis de la voiture (voir le schéma de raccordement ci-dessous) en utilisant des cordons les plus gros et les plus courts possibles telle qu'une barre de cuivre ou une tresse. Si le bruit persiste, consulter votre revendeur d'autoradios JVC.
- La puissance admissible des haut-parleurs doit être supérieure à 40 watts à l'arrière et à 40 watts l'avant, avec une impédance de 4 à 8 ohms.
- S'assurer de raccorder la mise à la masse de cet appareil au châssis de la voiture.
- Le radiateur devient très chaud après usage. Faire attention de ne pas le toucher en retirant cet appareil.

A Typical Connections / Conexiones típicas / Raccordements typiques

Before connecting: Check the wiring in the vehicle carefully not to fail in connecting this unit. Incorrect connection may cause serious damage to this unit.

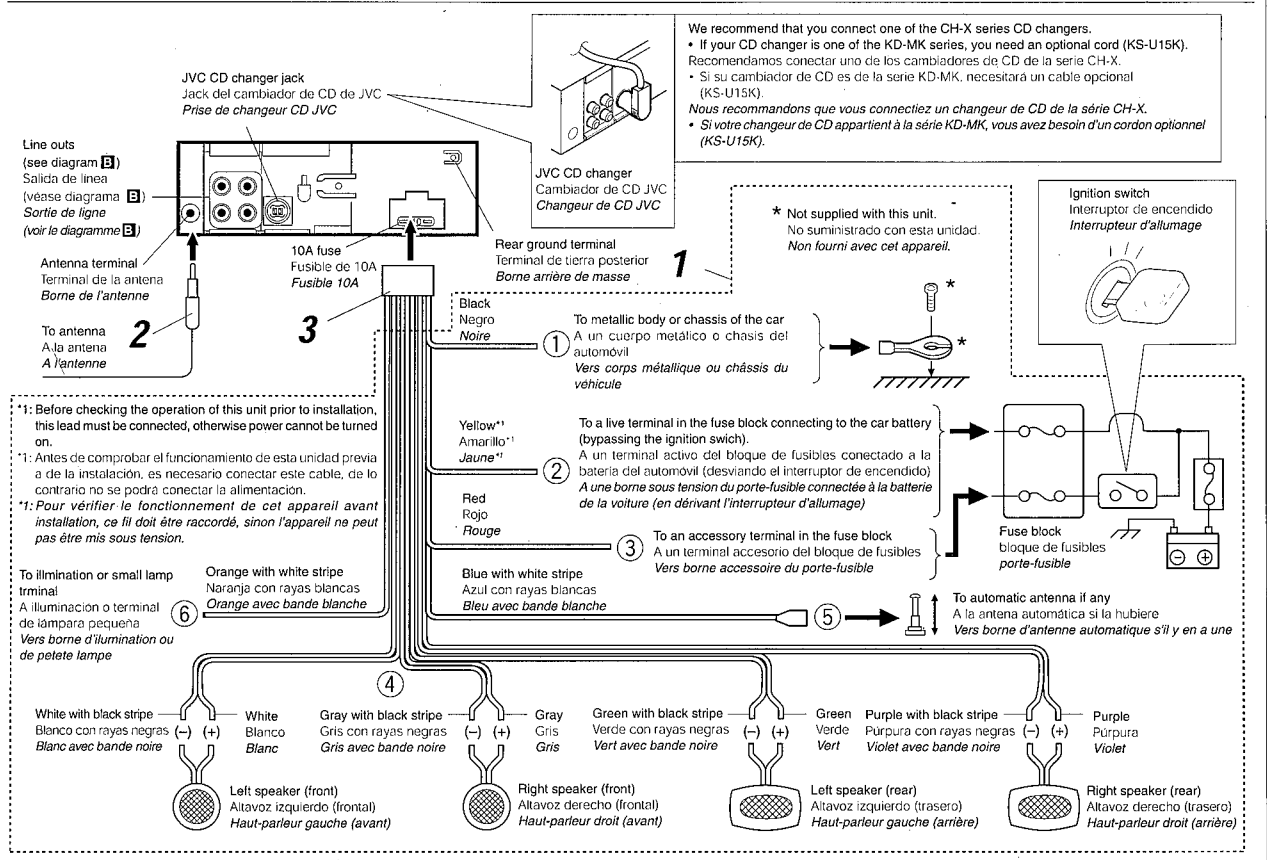
- 1 Connect the colored leads of the power cord to the car battery, speakers and automatic antenna (if any) in the following sequence.
 - ① Black: ground
 - ② Yellow: to car battery (constant 12V)
 - ③ Red: to an accessory terminal
 - ④ Others: to speakers
 - ⑤ Blue with white stripe: to automatic antenna
 - ⑥ Orange with white stripe: to illumination or small lamp terminal
- 2 Connect the antenna cord.
- 3 Finally connect the wiring harness to the unit.

Antes de la conexión: Verifique atentamente el conexionado del vehículo para no cometer errores al conectar esta unidad. Una conexión incorrecta podría producir daños graves en la unidad.

- 1 Conecte los conductores de color del cable de alimentación a la batería del automóvil, altavoces y antena automática (si la hubiere) en la secuencia siguiente.
 - ① Negro: a tierra.
 - ② Amarillo: a la batería del automóvil (12V constantes)
 - ③ Rojo: a un terminal de accesorio
 - ④ Otros: a los altavoces
 - ⑤ Azul con rayas blancas: a la antena automática
 - ⑥ Naranja con rayas blancas: a iluminación o terminal de lámpara pequeña
- 2 Conecte el cable de antena.
- 3 Por último, conecte a la unidad el cableado preformado.

Avant de commencer la connexion: vérifiez attentivement le câblage du véhicule pour ne pas connecter incorrectement cet appareil. Une connexion incorrecte peut endommager sérieusement l'appareil.

- 1 Connectez les fils de couleur du cordon d'alimentation à la batterie de la voiture, aux enceintes et à l'antenne automatique (s'il y en a une) dans l'ordre suivant.
 - ① Noir: à la masse
 - ② Jaune: à la batterie de la voiture (12V constant)
 - ③ Rouge: à la prise accessoire
 - ④ Autres: aux enceintes
 - ⑤ Bleu à bandes blanches: à l'antenne automatique
 - ⑥ Orange à bandes blanches: vers borne d'illumination ou de petite lampe
- 2 Connectez le cordon d'antenne.
- 3 Finalement, connectez le faisceau de fils à l'appareil.



PRECAUTIONS on power supply and speaker connections:

- DO NOT connect the speaker leads of the power cord to the car battery; otherwise, the unit will be seriously damaged.
- Connect the black lead (ground), yellow lead (to car battery, constant 12V), and red lead (to an accessory terminal) correctly.
- BEFORE connecting the speaker leads of the power cord to the speakers, check the speaker wiring in your car.
 - If the speaker wiring in your car is as illustrated in Fig. 1 and Fig. 2 below, DO NOT connect the unit using that original speaker wiring. If you do, the unit will be seriously damaged. Redo the speaker wiring so that you can connect the unit to the speakers as illustrated in Fig. 3.
 - If the speaker wiring in your car is as illustrated in Fig. 3, you can connect the unit using the original speaker wiring in your car.
 - If you are not sure of the speaker wiring of your car, consult your car dealer.

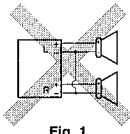


Fig. 1

PRECAUCIONES sobre las conexiones de la fuente de alimentación y de los altavoces:

- NO conecte los conductores de altavoz del cable de alimentación a la batería del automóvil, pues podrían producirse graves daños en la unidad.
- Conecte correctamente el conductor negro (a tierra), el conductor amarillo (a la batería del automóvil, 12V constantes), y el conductor rojo (a un terminal de accesorio).
- ANTES de conectar a los altavoces los conductores de altavoz del cable de alimentación, verifique el conexionado de altavoz de su automóvil.
 - Si el conexionado de altavoz de su automóvil es como se indica en las Figs. 1 y 2 de abajo, NO conecte la unidad utilizando ese conexionado de altavoz original. Si lo hace, se producirán daños graves en la unidad. Vuelva a efectuar el conexionado de altavoz de manera que pueda conectar la unidad a los altavoces de la manera indicada en la Fig. 3.
 - Si el conexionado de altavoz de su automóvil es como se indica en la Fig. 3, podrá conectar la unidad utilizando el conexionado de altavoz original de su automóvil.
 - Si tiene dudas sobre el conexionado de altavoz de su automóvil, consulte con su concesionario.

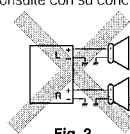


Fig. 2

PRECAUTIONS sur l'alimentation et la connexion des enceintes:

- NE CONNECTEZ PAS les fils d'enceintes du cordon d'alimentation à la batterie; sinon, l'appareil serait sérieusement endommagé.
- Connectez correctement le fil noir (à la masse), le fil jaune (à la batterie de la voiture, 12V constant) et le fil rouge (à la prise accessoire).
- AVANT de connecter les fils d'enceintes du cordon d'alimentation aux enceintes, vérifiez le câblage des enceintes de votre voiture.
 - Si le câblage des enceintes de votre voiture est réalisé comme montré sur la Fig. 1 ou Fig. 2 ci-dessous, NE CONNECTEZ PAS l'appareil en utilisant ce câblage original d'enceintes. Si vous le faites, l'appareil sera sérieusement endommagé. Recommencez le câblage des enceintes de façon que vous puissiez connecter l'appareil aux enceintes comme montré sur la Fig. 3.
 - Si le câblage des enceintes de votre voiture est comme montré sur la Fig. 3, vous pouvez connecter l'appareil en utilisant ce câblage original d'enceintes pour votre voiture.
 - Si vous n'êtes pas sûrs du câblage d'enceintes de votre voiture, consultez le concessionnaire de votre voiture.

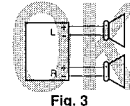
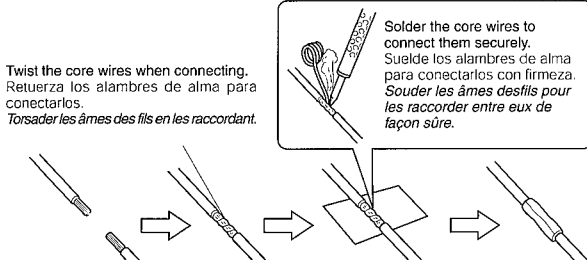


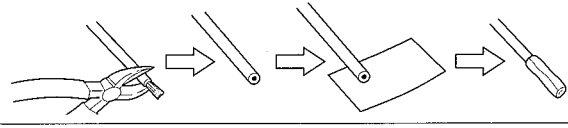
Fig. 3

Connecting the leads / Conexión de los conductores / Raccordement des fils



CAUTION / PRECAUCION / PRECAUTION:

- To prevent short-circuit, cover the terminals of the UNUSED leads with insulating tape.
- Para evitar cortocircuitos, cubra los cables NO UTILIZADOS con cinta aislante.
- Pour éviter les court-circuits, couvrir les bornes des fils qui ne sont PAS utilisés avec de la bande isolante.



Connections Adding Other Equipment / Conexiones para añadir otros equipos / Raccordement pour ajouter d'autres appareils

Since this unit has line-out terminals, an amplifier and other equipment can be used to upgrade your car stereo system.

- Connect the remote lead (blue with white stripe) to the remote lead of the other equipment so that power can be supplied through this unit.
- For amplifier only:
 - Connect this unit's line-out terminals to the amplifier's line-in terminals.
 - Disconnect the speakers from this unit, connect them to the amplifier. Leave the speaker leads of this unit unused. (Cover the terminals of these unused leads with insulating tape, as illustrated above.)

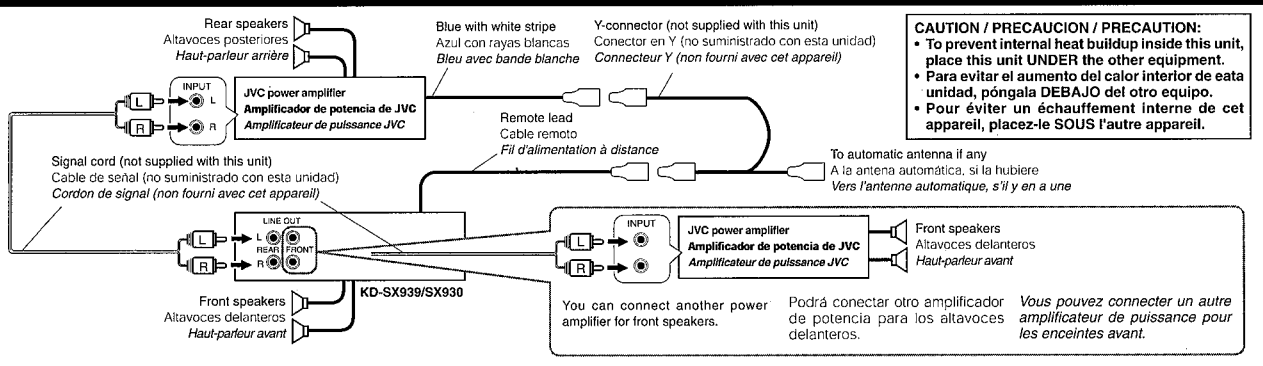
Como esta unidad posee terminales de salida de línea, se puede utilizar un amplificador u otro equipamiento para mejorar el sistema estereofónico de su automóvil.

- Conecte el cable remoto (azul con rayas blancas) al cable remoto del otro equipo para que pueda suministrarse energía a través de esta unidad.
- Sólo para el amplificador:
 - Conecte los terminales de salida de línea de esta unidad con los terminales de entrada de línea del amplificador.
 - Desconecte los altavoces de esta unidad y conéctelos al amplificador. Los cables de los altavoces de esta unidad quedan sin usar. (Cubra los terminales de estos cables sin usar con cinta aislante, tal como se indica en la figura de arriba).

Comme cet appareil a des bornes de sortie de ligne, un amplificateur et d'autres appareils peuvent être utilisés pour améliorer votre chaîne stéréo automobile.

- Connecter le fil d'alimentation à distance (bleu avec des bandes blanches) au fil d'alimentation à distance de l'autre appareil de façon qu'il puisse être alimenté par cet appareil.
- Pour l'amplificateur seulement:
 - Raccorder les bornes de sortie ligne de cet appareil aux bornes d'entrée ligne de l'amplificateur.
 - Déconnectez les enceintes de cet appareil et connectez-les à l'amplificateur. Laissez les fils d'enceintes de cet appareil inutilisés. (Recouvrir les extrémités de ces fils inutilisés avec de la bande isolante comme montré ci-dessus.)

Amplifier / Amplificador / Amplificateur



TROUBLESHOOTING

- The fuse blows.
 - * Are the red and black leads connected correctly?
- Power cannot be turned on.
 - * Is the yellow lead connected?
- No sound from the speakers.
 - * Is the speaker output lead short-circuited?
- Sound is distorted.
 - * Is the speaker output lead grounded?
 - * Are the "-" terminals of L and R speakers grounded in common?
- Unit becomes hot.
 - * Is the speaker output lead grounded?
 - * Are the "-" terminals of L and R speakers grounded in common?

LOCALIZACION DE AVERIAS

- El fusible se quema.
 - * ¿Están los conductores rojo y negro correctamente conectados?
- No es posible conectar la alimentación.
 - * ¿Está el cable amarillo conectado?
- No sale sonido de los altavoces.
 - * ¿Está el cable de salida del altavoz cortocircuitado?
- El sonido presenta distorsión.
 - * ¿Está el cable de salida del altavoz conectado a masa?
 - * ¿Están los terminales "-" de los altavoces L y R conectados a una masa común?
- La unidad se calienta.
 - * ¿Está el cable de salida del altavoz conectado a masa?
 - * ¿Están los terminales "-" de los altavoces L y R conectados a una masa común?

EN CAS DE DIFFICULTÉS

- Le fusible saute.
 - * Les fils rouge et noir sont-ils raccordés correctement?
- L'appareil ne peut pas être mise sous tension.
 - * Le fil jaune est-elle raccordée?
- Pas de son des haut-parleurs.
 - * Le fil de sortie de haut-parleur est-il court-circuité?
- Le son est déformé.
 - * Le fil de sortie de haut-parleur est-il à la masse?
 - * Les bornes "-" des haut-parleurs gauche et droit sont-elles mises ensemble à la masse?
- L'appareil devient chaud.
 - * Le fil de sortie de haut-parleur est-il à la masse?
 - * Les bornes "-" des haut-parleurs gauche et droit sont-elles mises ensemble à la masse?

<<MEMO>>

)

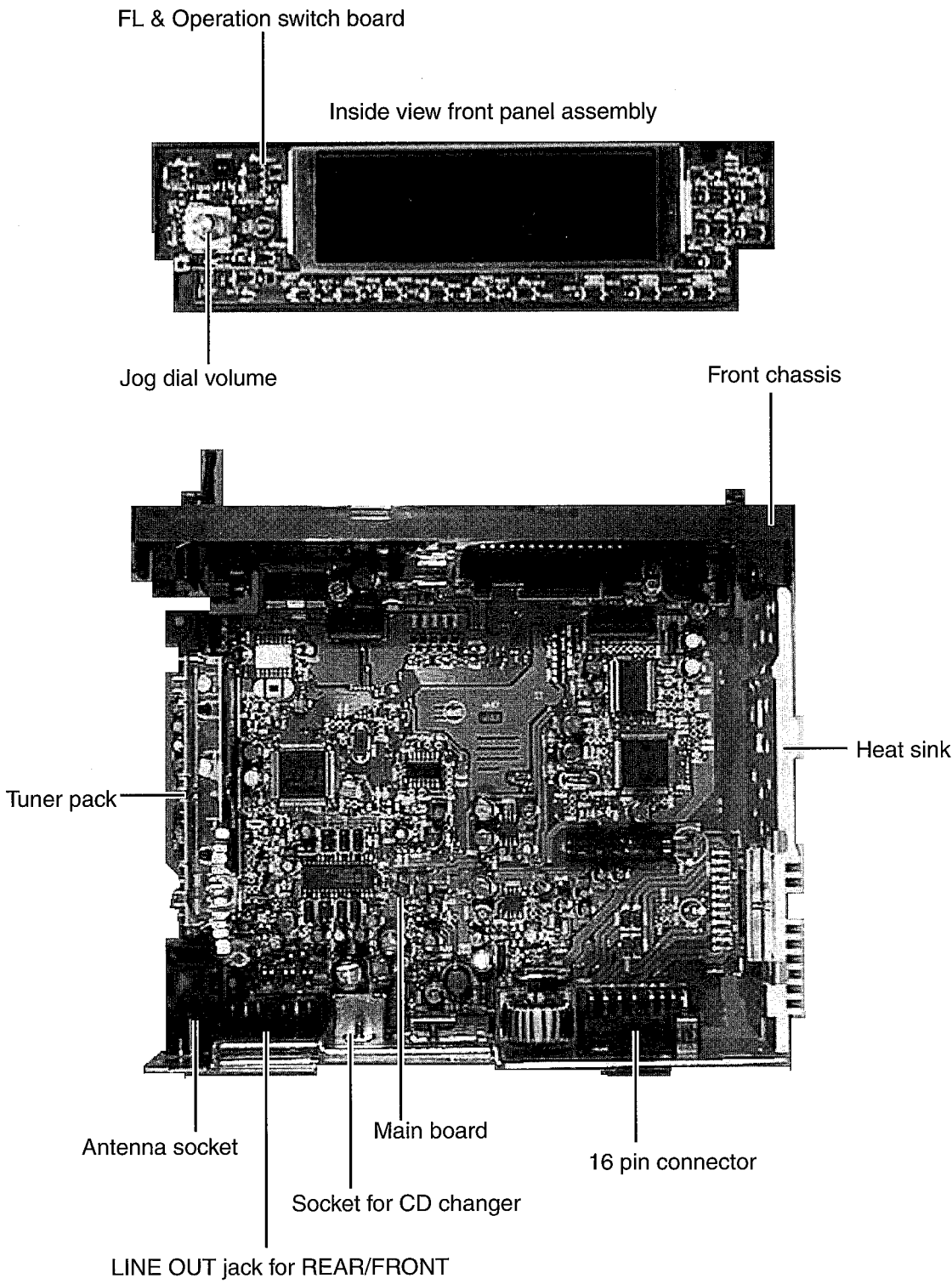
)

)

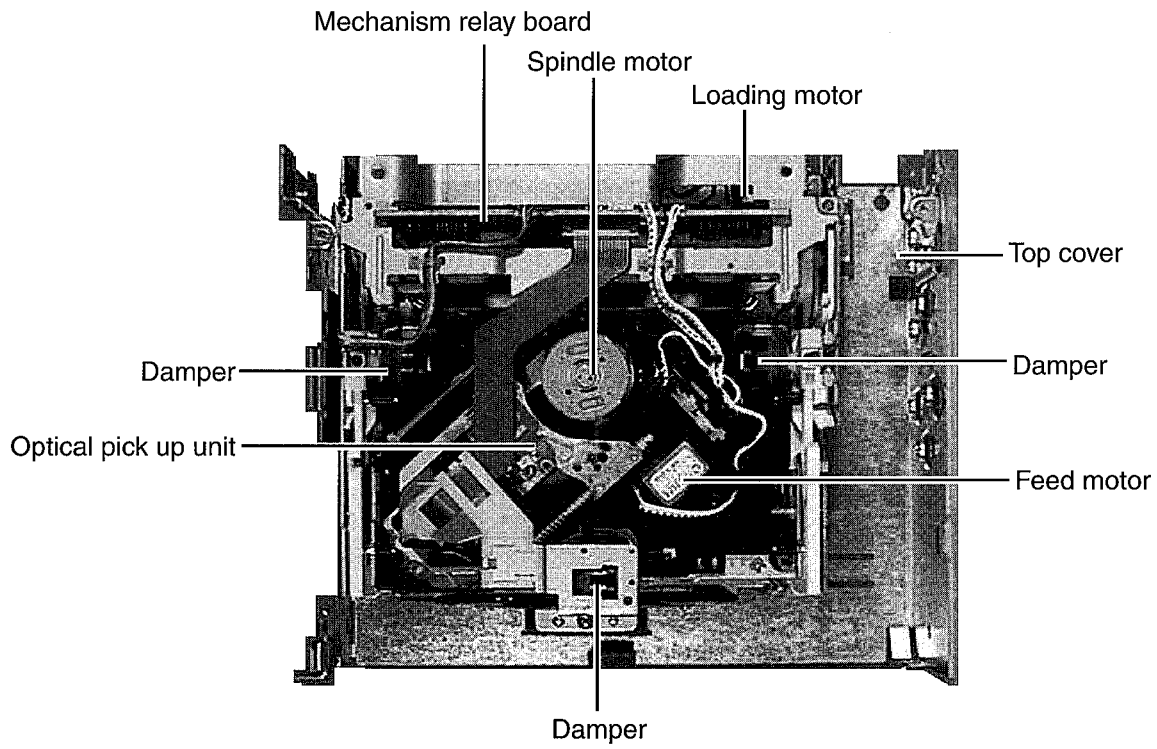
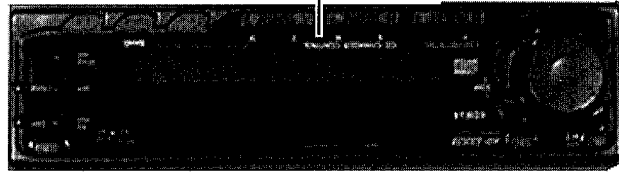
)

)

Location of Main Parts



Front panel unit



Removal of Main Parts

■ Removing the bottom cover

(See Fig.4)

Tune the unit upside down then insert and turn the screw driver remove the bottom cover.

■ Detaching the front Panel Unit

(See Fig-1, 2)

1. Push the ▲ button from the front panel unit .
2. Disengage the two engagements ① and take out the front panel unit from the main unit. (See Fig.-1)

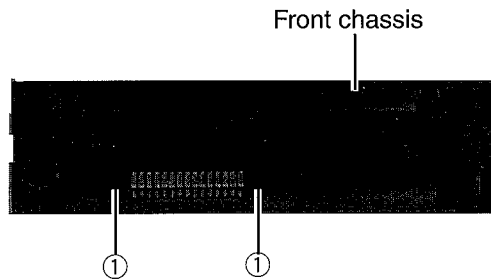


Fig.2

■ Removing the front chassis

(See Fig.2-4)

1. Remove the two screws ① retaining the front chassis. (See Fig.-2)
2. Remove two ribs ② in the right side of unit and pull the front chassis forward to remove it.
3. Remove two ribs ③ in the left side of unit and pull the front chassis forward to remove it.

■ Removing the heat sink

(See Fig.4)

1. Tune the left side unit.
2. Remove the three screws ② retaining the heat sink.

■ Removing the bottom cover

(See Fig.4,5,6)

1. Tune the unit upside down.
2. Disengage the four engagements ④, ⑤, ⑥, ⑦ retaining the bottom cover.

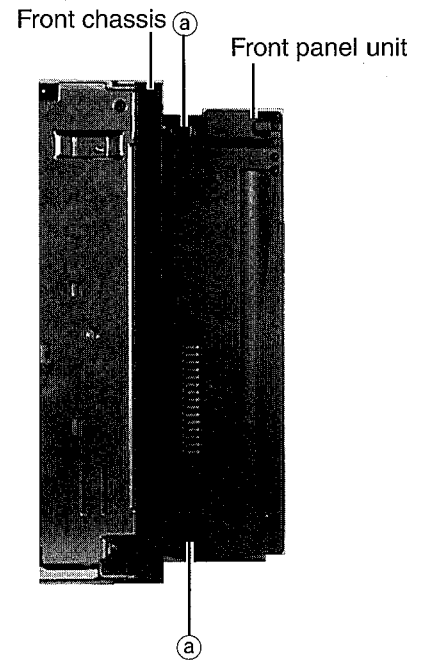


Fig.1

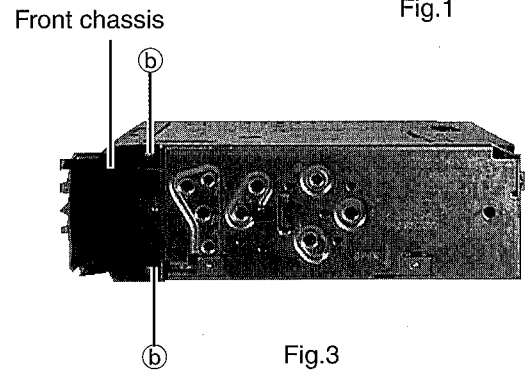


Fig.3

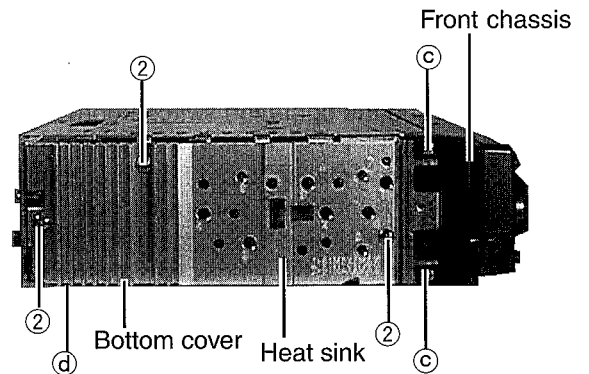


Fig.4

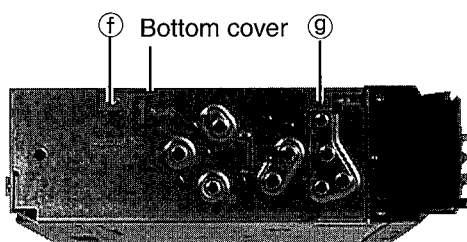


Fig.5

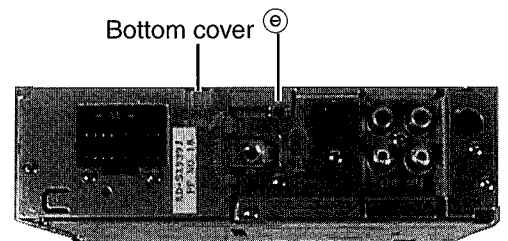


Fig.6

■ Removing the main board assembly
 (See Fig.7, Fig.8)

1. Remove the two screws ③ retaining the main board.
2. Turn the back side unit.
3. Remove the three screws ④ retaining the rear bracket.
4. Lift up the main board to remove it, at this time remove the connections CP501 and CP502 connecting the main board and CD mechanism assembly.

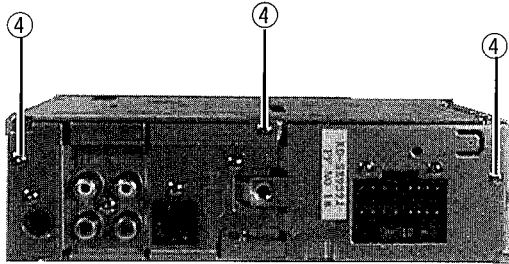


Fig.8

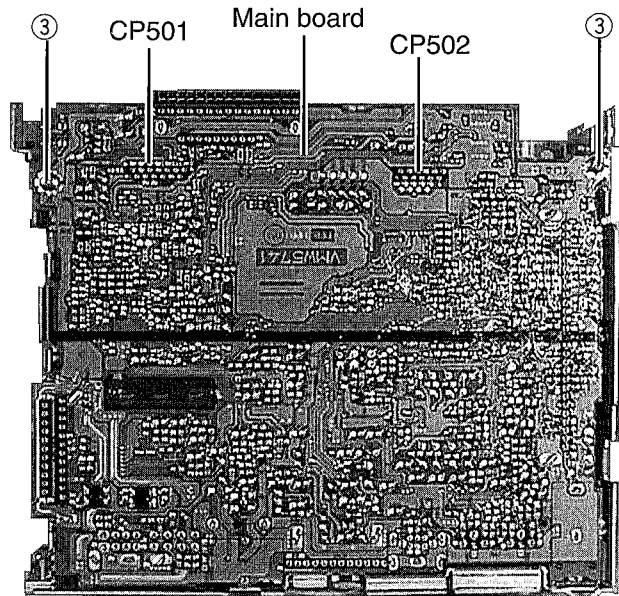


Fig.7

■ Removing the CD mechanism assembly
 (See Fig.9)

Remove the three screws ⑤ retaining the CD mechanism assembly from the top cover.

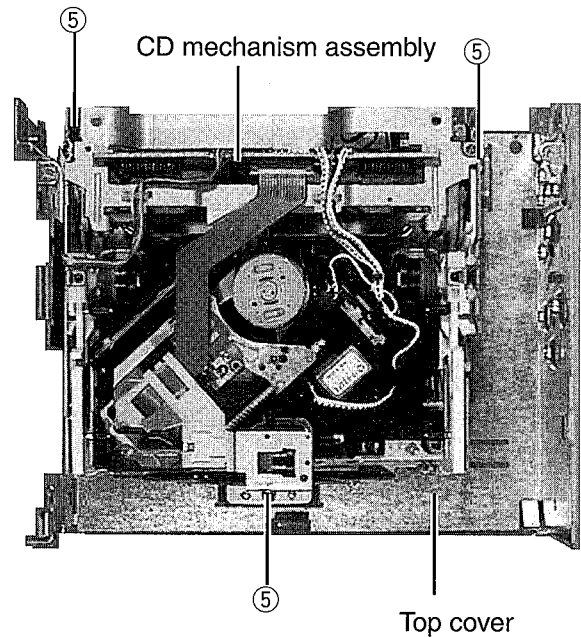


Fig.9

■ Removing the operation switch board
 (See Fig.10, 11)

1. Pull the jog dial knob out from the front panel.
2. Turn the front panel unit upside down then.
3. Remove the four screws ⑥ retaining the rear cover.
4. Disengage the two engagements ⑧ between rear cover and front panel.
5. Take the operation switch board off on the front Panel.

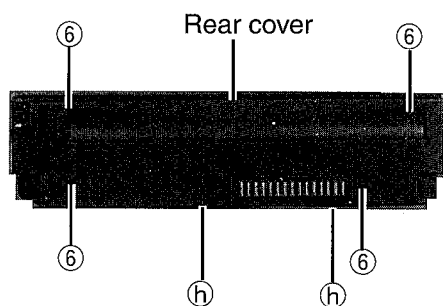


Fig.10

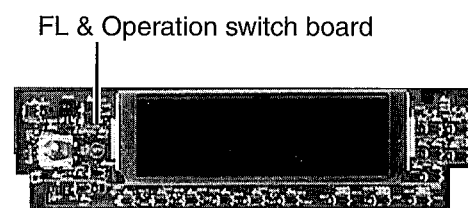


Fig.11

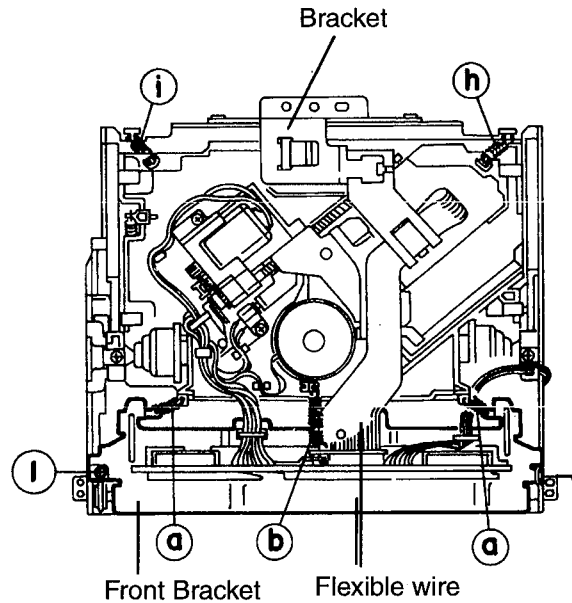


Fig.10

[CD Mechanism Section]

■ Removing the CD mechanism control P.C.board

- 1.Remove the CD mechanism assembly (See "Removing the CD mechanism assembly").
- 2.Remove the three springs ① and ② from behind the CD mechanism assembly(See Fig.10).
- 3.Disconnect the flexible wire connected to the connector on the CD mechanism control P.C.board (See Fig.10).
- 4.Remove the one screw ③ retaining the CD mechanism control P.C.board(See Fig. 11).
5. After disengaging the engagement between the notch section ④ and frame,remove the CD mechanism Control P.C .board successively from ① through to ③ in the arrow direction as shown in Fig. 11.

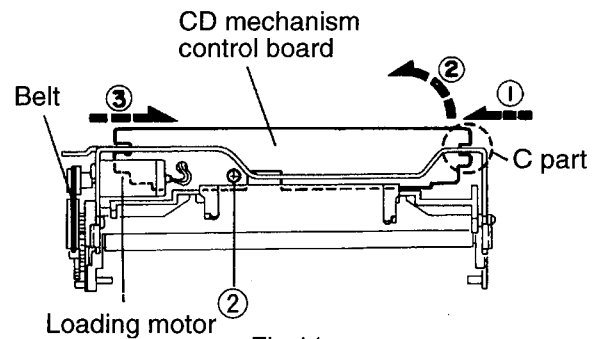


Fig.11

CAUTION:Whenever the flexible wire is disconnected, be sure to remove the soldering in advance as shown in Fig.12. Otherwise, the CD mechanism assembly can possibly be damaged.

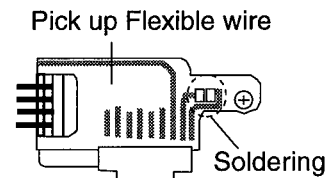


Fig.12

- 6.Remove the two screws ① retaining the front bracket for fixing the CD mechanism control P. C. board(See Fig.10).

CAUTION:Remove the front bracket from the frame while expanding both sides of the frame as shown in Fig.14

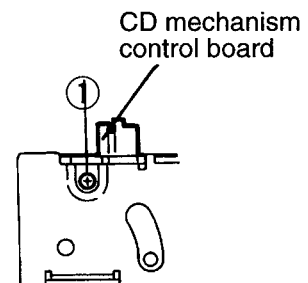


Fig.13

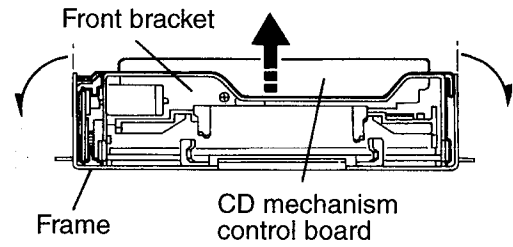


Fig.14

■ Removing the loading motor

- 1.Remove the belt from the loading motor (See Fig.14 and Fig.15)
- 2.Remove the one screw ③ retaining the loading motor(See Fig.15)

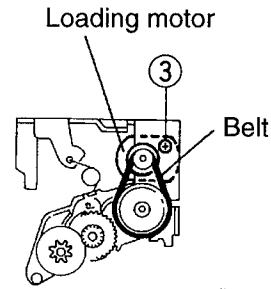


Fig.15

■ Removing the CD mechanism assembly

- 1.Remove the two screws ④ retaining the bracket for fixing the damper(See Fig.16)
- 2.While shining the fix places on the right and left Sides respectively to the arrow direction, lower the entire CD mechanism. When the shafts(ⓓ, ⓐ, ⓕ and ⓑ) on both the right and left sides have been set free as shown in Fig.17 and Fig.18,then the assembly can be removed easily.Remove the two screws ⑤ retaining the rear damper bracket to make it easier to remove the damper from the rear damper bracket(See Fig.10, Fig.17 and Fig.18).
- 3.Remove the two springs ⓗ and ⓘ as shown in Fig.10 and Fig 16.
- 4.While removing the right and left sides of the rear damper brackets and dampers While expanding both sides of the CD mechanism,disassemble the entire CD mechanism.

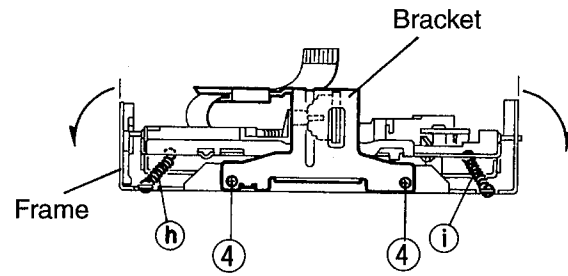


Fig.16

Fix plate

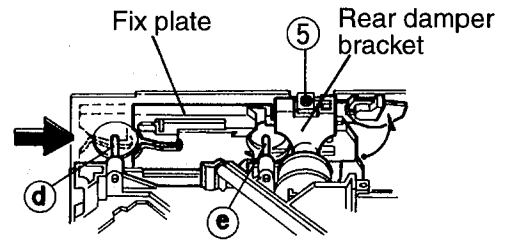


Fig.17

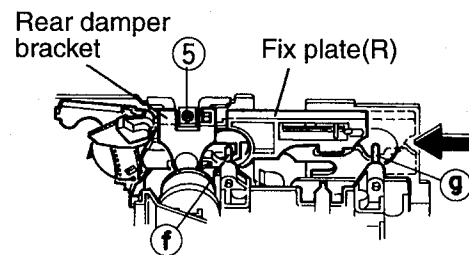


Fig.18

5. While tuning the pickup gear in the arrow direction as shown in Fig.20, shift the entire pickup unit.
6. Remove the three screws ⑥ retaining the feed motor assembly and take out this motor assembly (See Fig.19).
7. While pressing and expanding the spring section holding the FD screw in the arrow direction, remove the FD screw and dismount the pickup unit (See Fig.21).
8. By removing the two screw ⑦ retaining the pickup unit, dismount the nut push spring plate and pickup mount unit (See Fig.22).
9. Remove the FD screw from the pickup unit (See Fig.22).

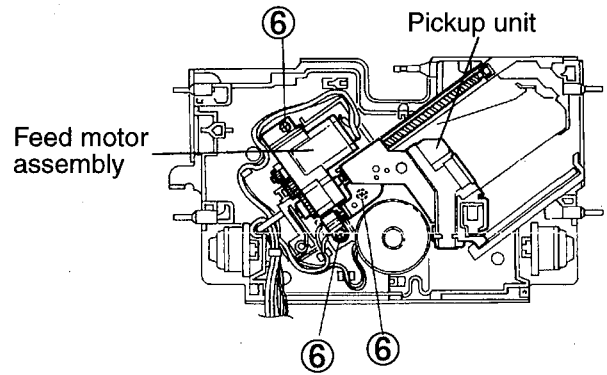


Fig.19

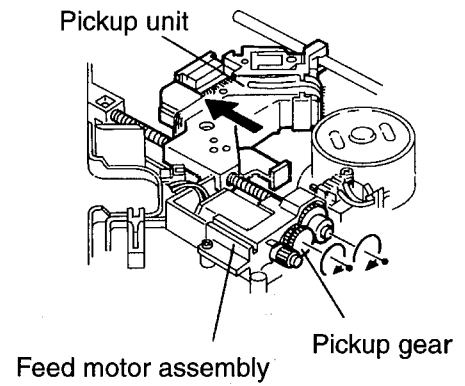


Fig.20

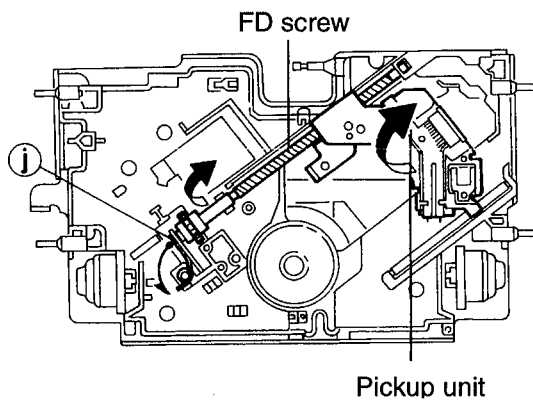


Fig.21

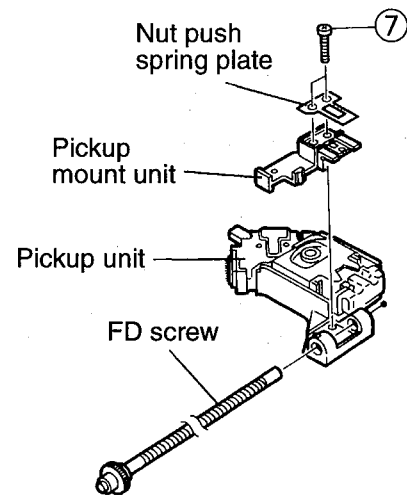


Fig.22

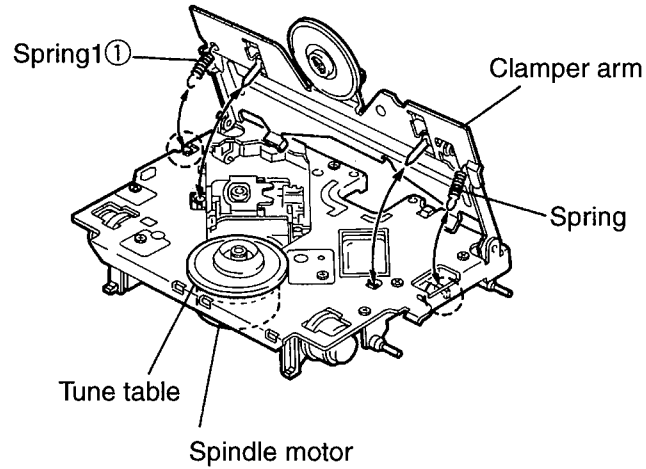


Fig.23

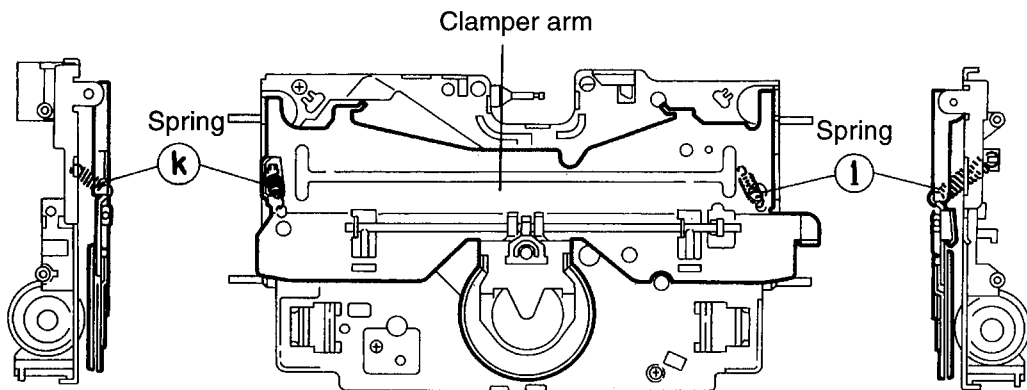


Fig.24-a

Fig.24

Fig.24-b

■ Removing the spindle motor

1. After turning back the CD mechanism to initial position, remove the two sparrings ⑫ and ① on both the right and left sides of the clamper arm (See Fig.23 and Fig.24).
2. While turning the turntable, remove the two screws ⑧ retaining the spindle motor and take out the spindle motor (See Fig.25).

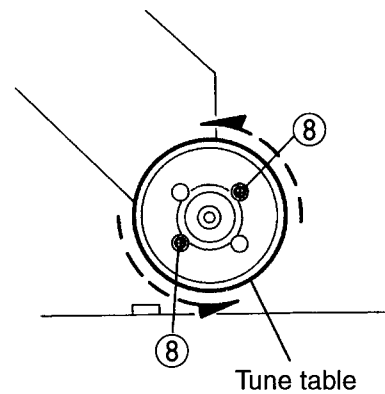


Fig.25

Main Adjustment

■ Test Instruments required for adjustment

1. Digital oscilloscope (100MHz)
2. AM Standard signal generator
3. FM Standard signal generator
4. Stereo modulator
5. Electric voltmeter
6. Digital tester
7. Tracking offset meter
8. Test Disc JVC :CTS1000
9. Extension cable for check
EXTGS003-14P × 2

■ Standard volume position

Balance and Bass & Treble volume : Indication "0"
Loudness : Off

Setting of reference frequency of SSG

AM mode: 600kHz/62dB-INT/400Hz,30% modulation
Signal on

FM mode: 97.9MHz/66dB/INT/400Hz/22.5kHz deviation
pilot 7.5kHz dev.

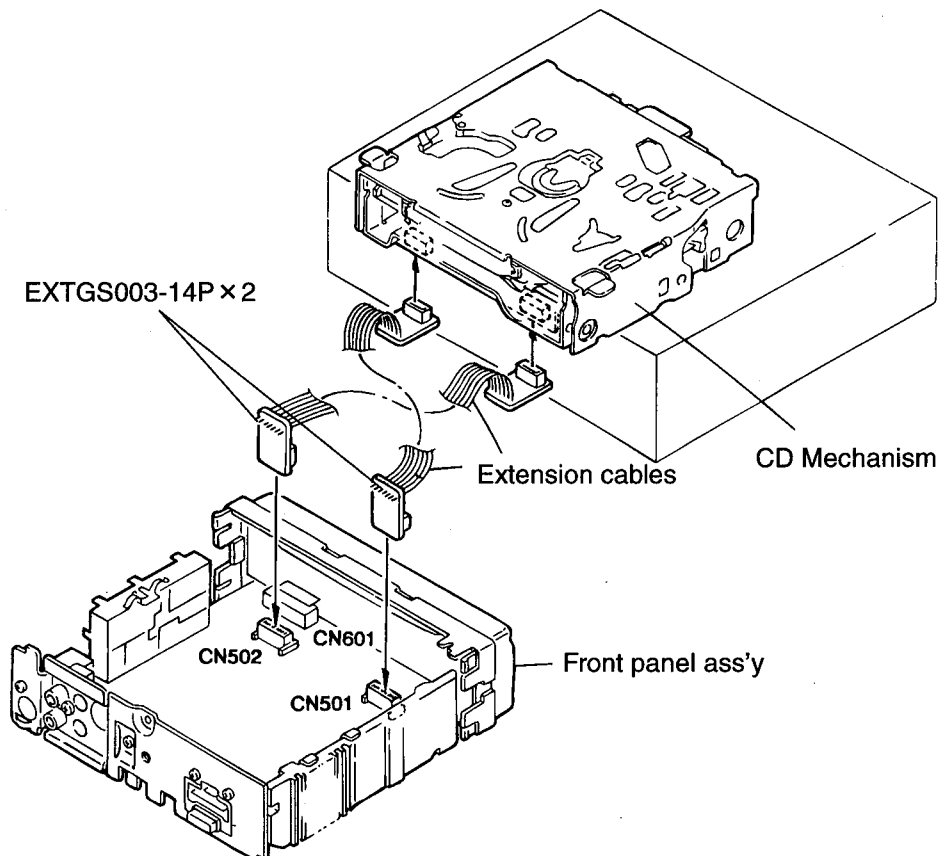
Dummy load

Exclusive dummy load should be used for AM, and FM. For FM dummy load, there is a loss of 6dB between SSG output and antenna input. The loss of 6dB need not be considered since direct reading of figures are applied in this working standard.

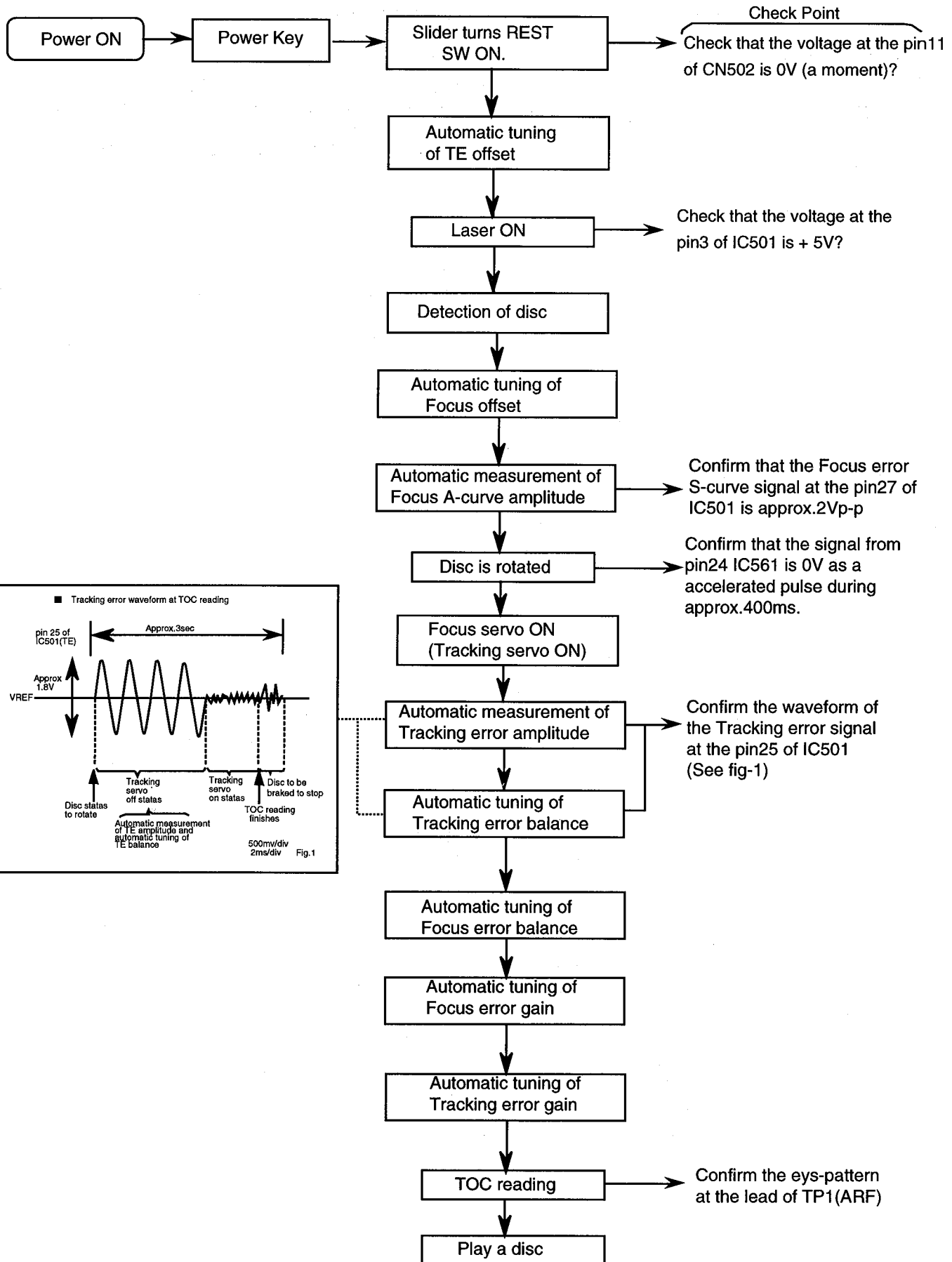
■ Standard measuring conditions

Power supply voltage DC14.4V(10.5~16V)
Load impedance 4Ω (2 Speakers connection)
Line out 20kΩ

■ How to connect the extension cable for adjusting

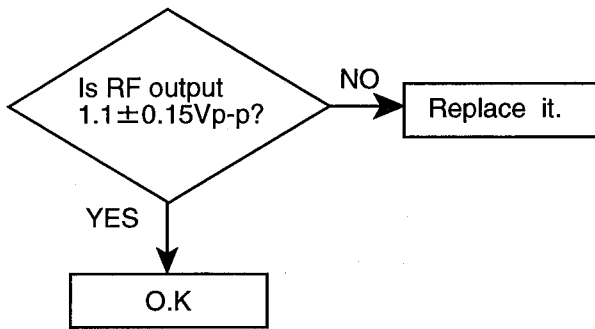


Flow of Functional Operation Until TOC Read



Maintenance of Laser Pickup

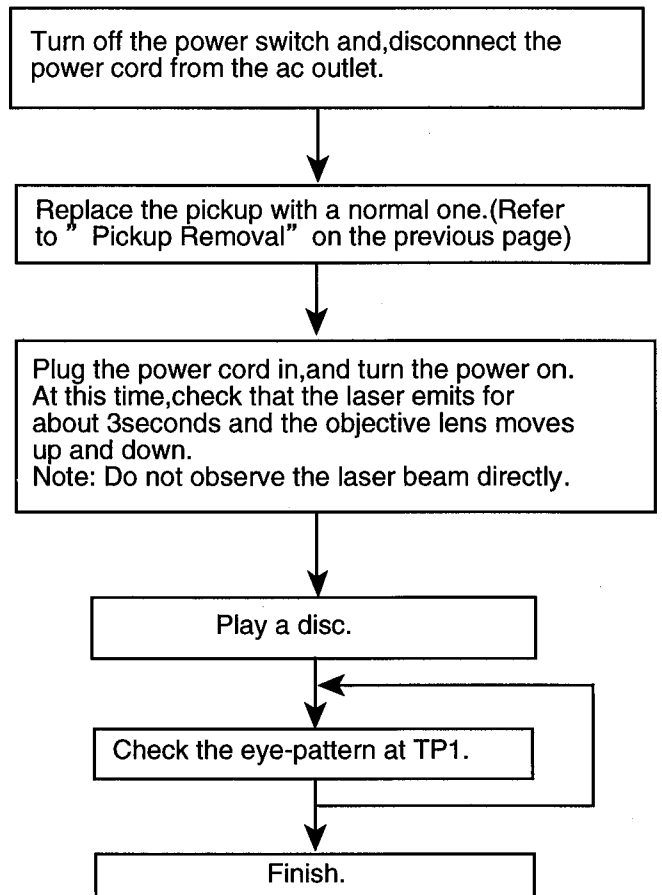
- (1) Cleaning the pick up lens
 Before you replace the pick up, please try to clean the lens with a alcohol soaked cotton swab.
- (2) Life of the laser diode (Fig.1)
 When the life of the laser diode has expired, the following symptoms will appear.
 - (1) The level of RF output (EFM output: amplitude of eye pattern) will be low.



(Fig.1)

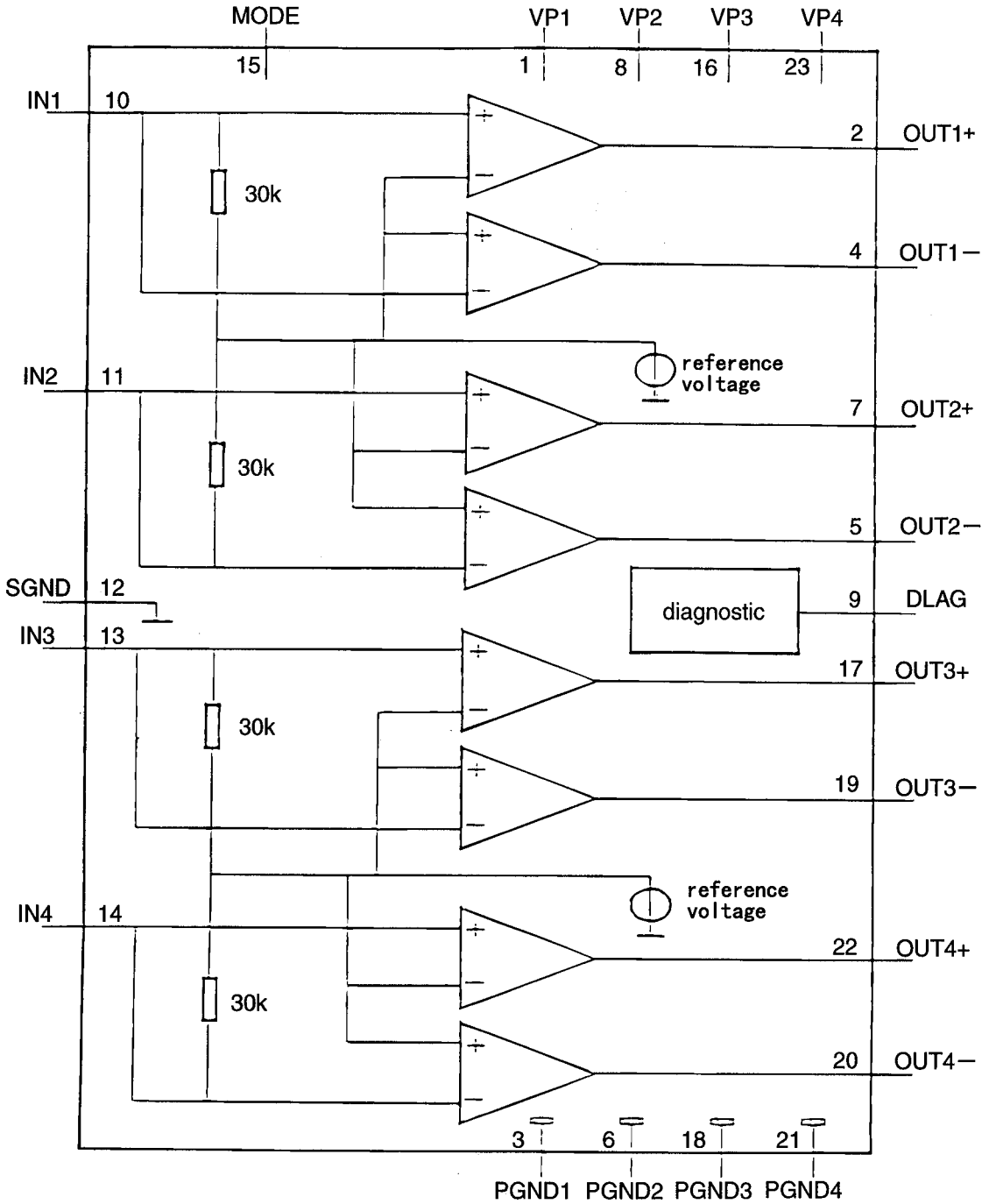
- (3) Semi-fixed resistor on the APC PC board
 The semi-fixed resistor on the APC printed circuit board which is attached to the pickup is used to adjust the laser power. Since this adjustment should be performed to match the characteristics of the whole optical block, do not touch the semi-fixed resistor. If the laser power is lower than the specified value, the laser diode is almost worn out, and the laser pickup should be replaced. If the semi-fixed resistor is adjusted while the pickup is functioning normally, the laser pickup may be damaged due to excessive current.

Replacement of Laser Pickup



Description of Main ICs

■ IC941: TDA8568Q (POWER AMPLIFIER)



■ IC941 : TDA8568Q (POWER AMPLIFIER)

Pin No.	Port Name	I/O	Descriptions
1	VP1		Supply voltage 1
2	OUT+		Output 1+
3	PGND1		Power ground 1
4	OUT1-		Output 1-
5	OUT2-		Output 2-
6	PGND2		Power ground 2
7	OUT2+		Output 2+
8	VP2		Supply voltage 2
9	DIAG		Diagnostic output
10	IN1		Input 1
11	IN2		Input 2
12	SGND		Signal ground
13	IN3		Input 3
14	IN4		Input 4
15	MODE		mode select switch (Stand-by / mute / operating)
16	VP3		Supply voltage 3
17	OUT3+		Output 3+
18	PGND3		Power ground 3
19	OUT3-		Output 3-
20	OUT4-		Output 4-
21	PGND4		Power ground 4
22	OUT4+		Output 4+
23	VP4		Supply voltage 4

■ IC701 : UPD178018AGC-513 (SYSTEM CONTROL CPU)

Pin No.	Port Name	I/O	Descriptions
1	KEY 0	I	Key input 0
2	KEY 1	I	Key input 1
3	KEY 2	I	Key input 2
4	LEVEL	I	Level meter input
5	SM	I	S.meter level input
6	SQ	I	S.Quality level input
7	SUBQ	I	Refer to specifications for CD
8	STAGE1	I	Initial establishing ,H : KD-SX939R, L : KD-SX930J
9	SQCK	O	Refer to specifications for CD
10	CPEN	I	Detect for front face ope and shut input, H:OPEN,L:SHUT
11	BUS-I/O	O	I/O selector output for J-BUS, H : OUT, L: INPUT
12	BUS-SI	O	J-BUS Data input
13	BUS-SO	O	J-BUS Data output
14	BUS-SCK	I/O	J-BUS Clock in/output
15	MUTE	O	Mute output, L: Mute on
16	LM1	O	Refer to specifications for CD
17	LM0	O	Refer to specifications for CD
18	CD/TU	O	Level meter establishing output for selector,CD,CD-CH:H,L:TU
19	ILL1OUT	O	Illumination control selector output,, H:AUTO, L:MANUAL
20	ILL2OUT	O	Illumination control selector output When manual, H:OFF,L:ON
21	GNDPORT	-	Port GND
22	VDDPORT	-	Port Vdd
23	INLOCK	O	Detector for tuner lock output, H: Lock
24	AFCK	O	AF check output, L: AF check
25	MONO	O	Monaural on /off selecting output, H:mono on
26	LOCAL	O	Local on/off selecting output, H:Local on
27	SEEK/STP	O	Auto seek /stop selecting output, H: Seek, L:Stop
28	CRUISE	-	Pulse signal input port for Cruise control
29	IFC	I	FM/AM midle frequency counter input
30	VDDPLL	-	PLL Vdd
31	OSC	I	FM/AM limited generator frequency input
32	NC	I	None connect
33	GNDPLL	-	PLL GND
34	AMEO	O	AM error out output
35	FMEO	-	FM error out output
36	IC	-	GND
37	SD/ST	I	Station detector, Stereo signal input, H:Find Station, L:Stereo
38	RSDA	I	RDS Data input
39	CD-ON	O	Power supply control signal for CD, H: CD
40	LCD-CE	O	Chip enable output to LCD Driver

■ IC701 : UPD178018AGC-513 (SYSTEM CONTROL CPU)

Pin No.	Port Name	I/O	Descriptions
41	LCD-DA	O	Data output to LCD Driver
42	LCD-SCK	O	Clock output to LCD driver
43	VOL-A	I	Input for rotation volume detecting pulse Judgment to relation V,B
44	VOL-B	I	Input for rotation volume detecting pulse, Judgment to relation V,A
45	12C-CLK	O	12C information clock output
46	12C-DAO	O	12C information data output
47	12C-DAI	I	12C information clock input
48	FM/AM	O	Selecting output for FM/AM, L : FM, H: AM
49	POWER	O	Selecting output for power on/off, H: power on
50	PSI	I	Power save 1,Working together ACC, L:Power save,H>Action
51	TEL-MUTE	I	Input for telephone mute detecting,LorH:Mute, Active'sPSM establish
52	DETACH	I	Input for detach signal,To Action mode of L ,200ms more than
53	LSI-RESET	O	Refer to CD specifications
54	STAT	I	Refer to CD specifications
55	T-LOCK	I	Refer to CD specifications
56	F-LOCK	I	Refer to CD specifications
57	SENS	I	Refer to CD specifications
58	MLD	O	Refer to CD specifications
59	BEEP	O	Buzzer output
60	STAGE2	I	Initial establishing by J version, H : KD-SX930J, L : SX939J
61	MDATA	O	Refer to CD specifications
62	MCLK	O	Refer to CD specifications
63	SW2	I	Refer to CD specifications
64	SW3	I	Refer to CD specifications
65	SW4	I	Refer to CD specifications
66	RST-SW	I	Refer to CD specifications
67	NC	I	Non-connection
68	PS2	I	Power save 2, Working together Back up by H input, tostop mode
69	RDS-SCK	I	Clock input for RDS
70	REMOCON	I	Input for remote control
71	BLKCK	I	Refer to CD specifications
72	SW1	I	Refer to CD specifications
73	BUS-INT	I	Cut-in input for J-BUS signal
74	REGCPU	-	Regulator for CPU power supply, Connect the GND with 0.1 μ F.
75	GND	-	Ground
76	X2	-	Connecting the crystal oscillator for system clock
77	X1	I	Connecting the crystal oscillator for system clock
78	REGOSC	-	Regulator for oscillator circuit.Connect the GND with 0.1 μ F.
79	VDD	-	Vdd
80	NC	-	Pull up

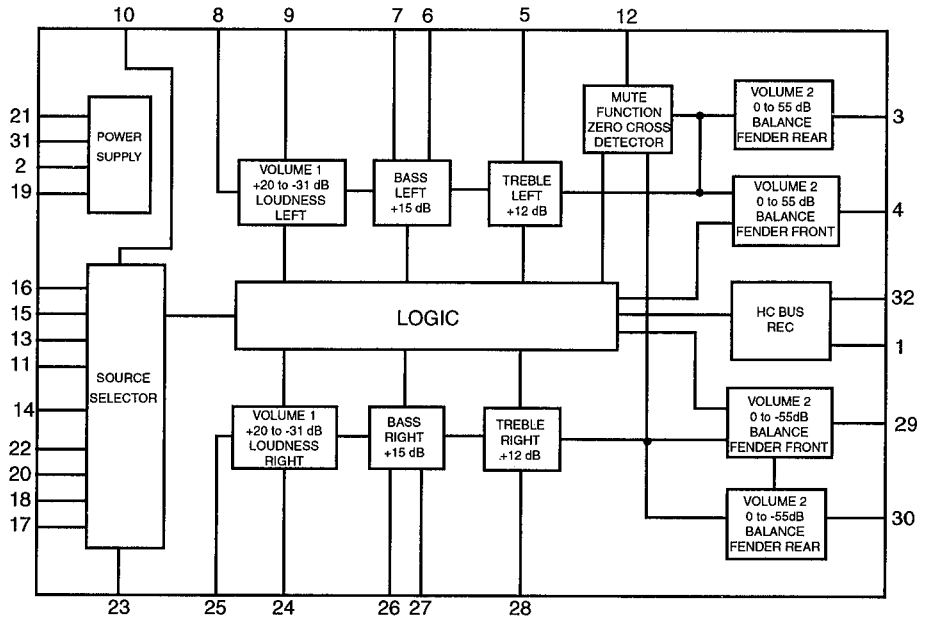
■ IC911:TEA6320T(E.VOLUME)

1.Terminal Layout

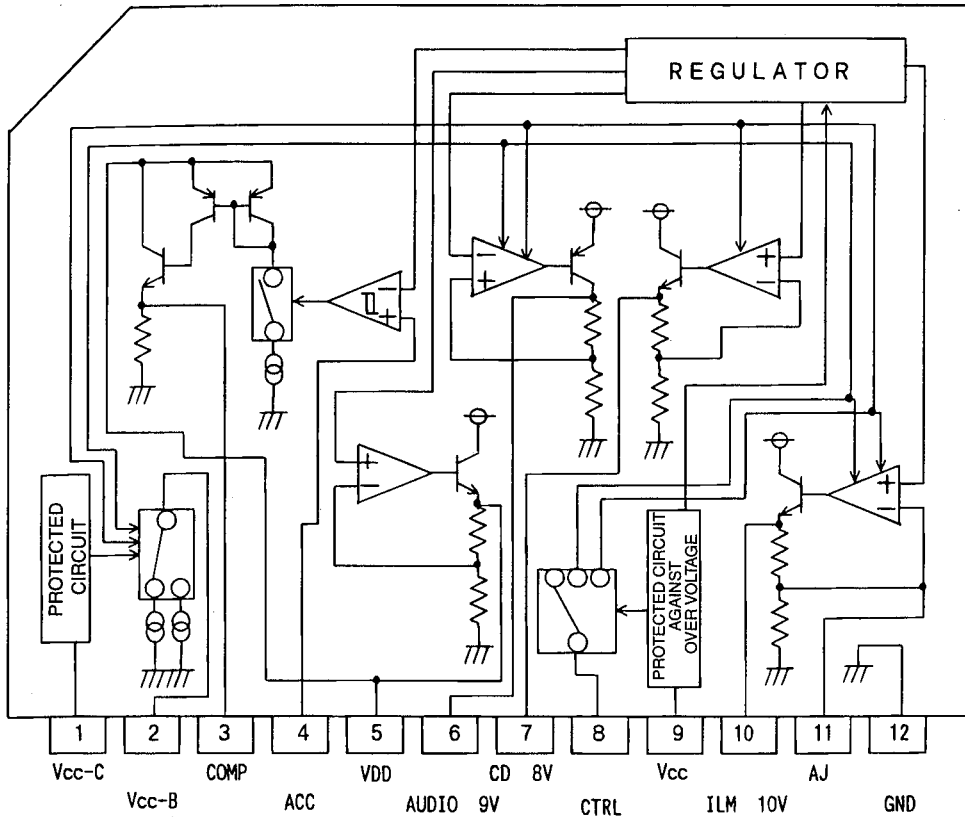
SDA	1	32	SCL
GND	2	31	VCC
OUTLR	3	30	OUTRR
OUTLF	4	29	OUTRF
TL	5	28	TR
B2L	6	27	B2R
B1L	7	26	B1R
IVL	8	25	IVR
ILL	9	24	ILR
QSL	10	23	QSR
IDL	11	22	IDR
MUTE	12	21	Vref
ICL	13	20	ICR
IMD	14	19	CAP
IBL	15	18	IBR
IAL	16	17	IAR

CD-CH	20
TAPE	18
TUNER	17

2.Block Diagram



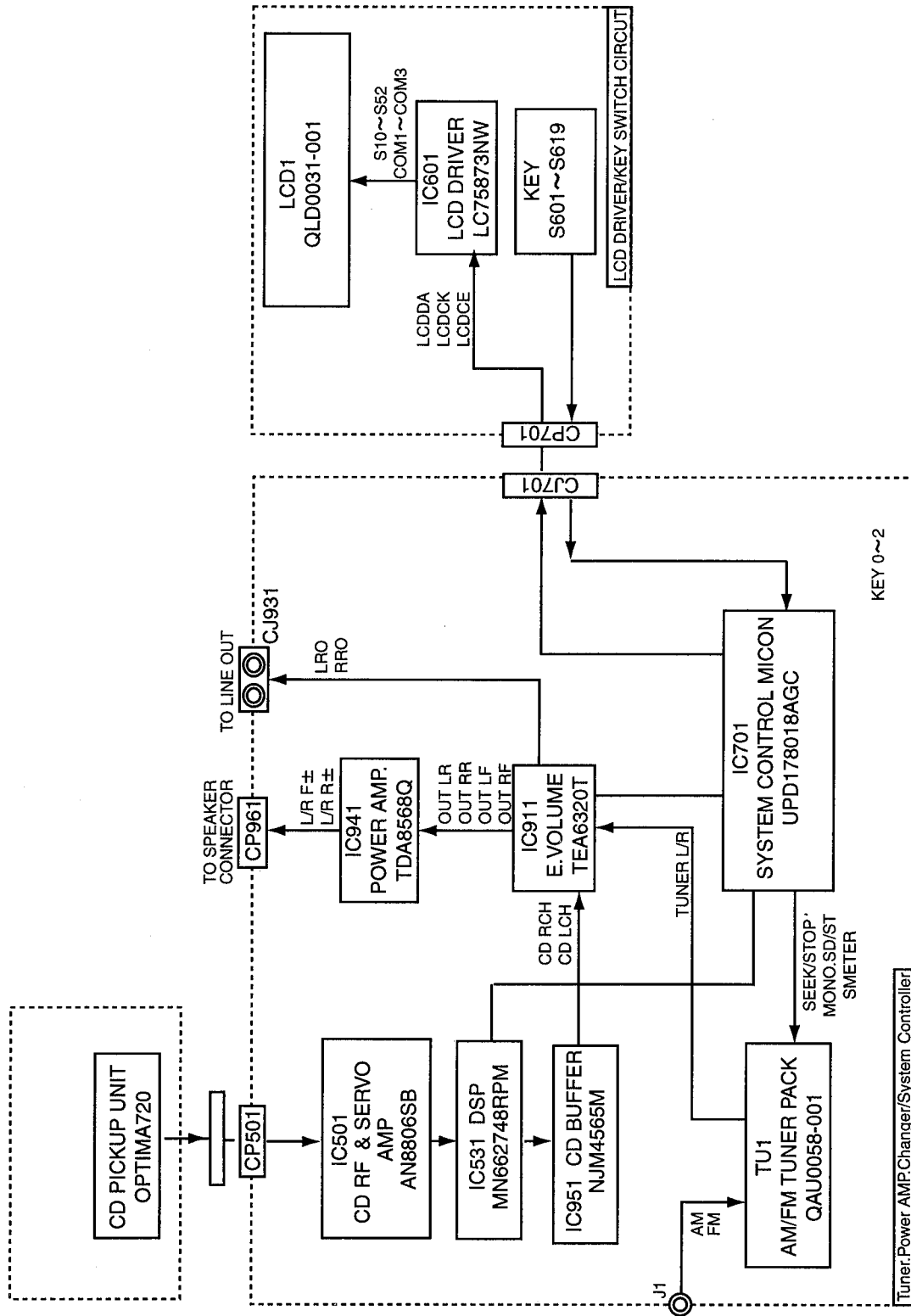
■ IC961 : BA4901A-V3 (REGULATOR)

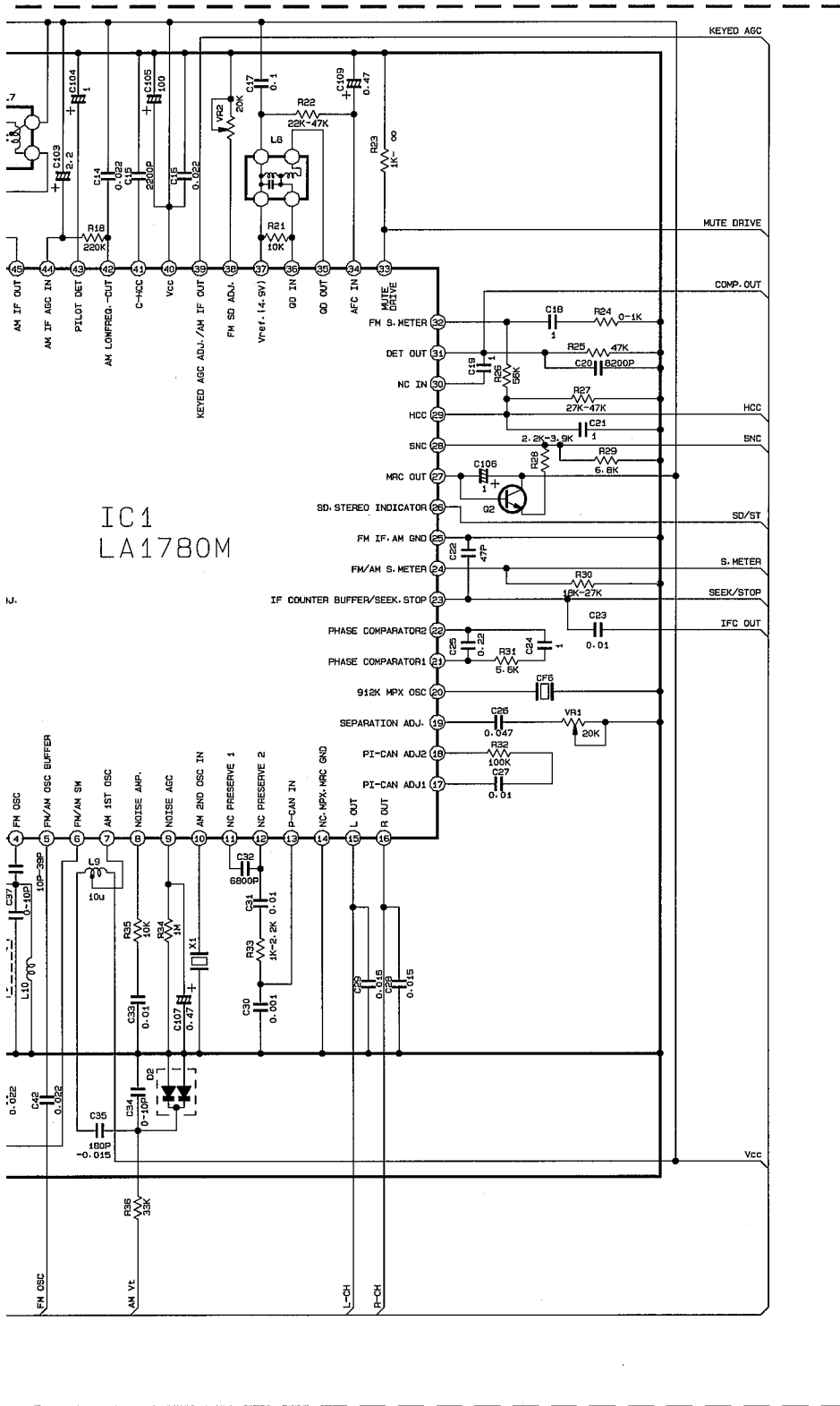


3.Pin Functions

Pin No.	Symbol	I/O	Functions
1	SDA	I/O	Serial data input/output.
2	GND	-	Ground.
3	OUTLR	O	output left rear.
4	OUTLF	O	output left front.
5	TL	I	Treble control capacitor left channel or input from an external equalizer.
6	B2L	-	Bass control capacitor leftchannel or output to an external equalizer.
7	B1L	-	Bass control capacitor left channel.
8	IVL	I	Input volume 1. left control part.
9	ILL	I	Input loudness. left control part.
10	QSL	O	Output source selector. left channel.
11	IDL	-	Not used
12	MUTE	-	Not used
13	ICL	I	Input C left source.
14	IMO	-	Not used
15	IBL	I	Input B left source.
16	IAL	I	Input A left source.
17	IAR	I	Input A right source.
18	IBR	I	Input B right source.
19	CAP	-	Electronic filtering for supply.
20	ICR	I	Input C right source.
21	Vref	-	Reference voltage (0.5Vcc)
22	IDR	-	Not used
23	QSR	O	Output source selector right channel.
24	ILR	I	Input loudness right channel.
25	IVR	I	Input volume 1. right control part.
26	B1R	-	Bass control capacitor right channel
27	B2R	O	Bass control capacitor right channel or output to an external equalizer.
28	TR	I	Treble control capacitor right channel or input from an external equalizer.
29	OUTRF	O	Output right front.
30	OUTRR	O	Output right rear.
31	Vcc	-	Supply voltage.
32	SCL	I	Serial clock input.

Block Diagram





IC1
LA1780M

KD-SX939J
KD-SX930J

1

2

3

4

5

6

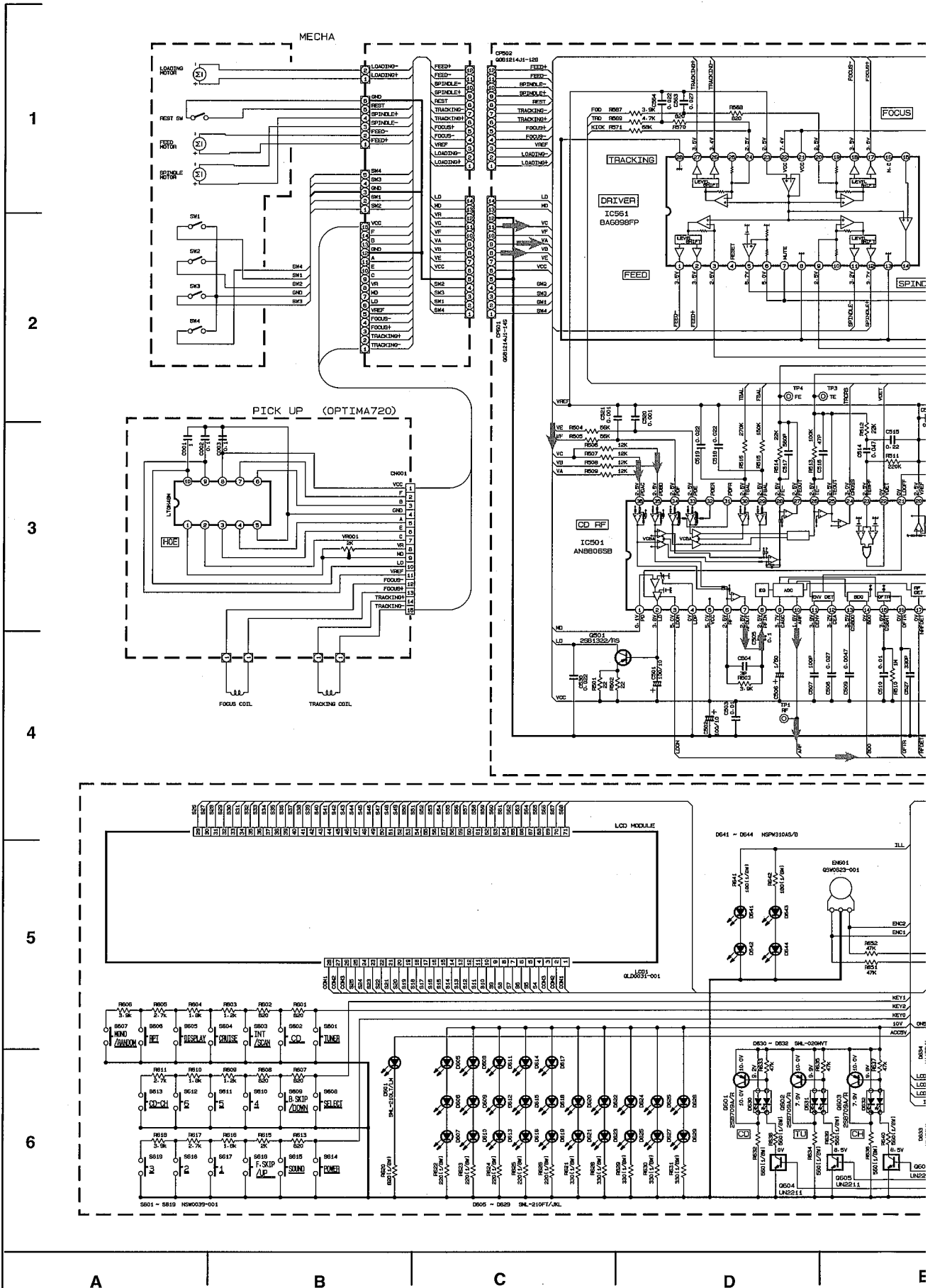
F

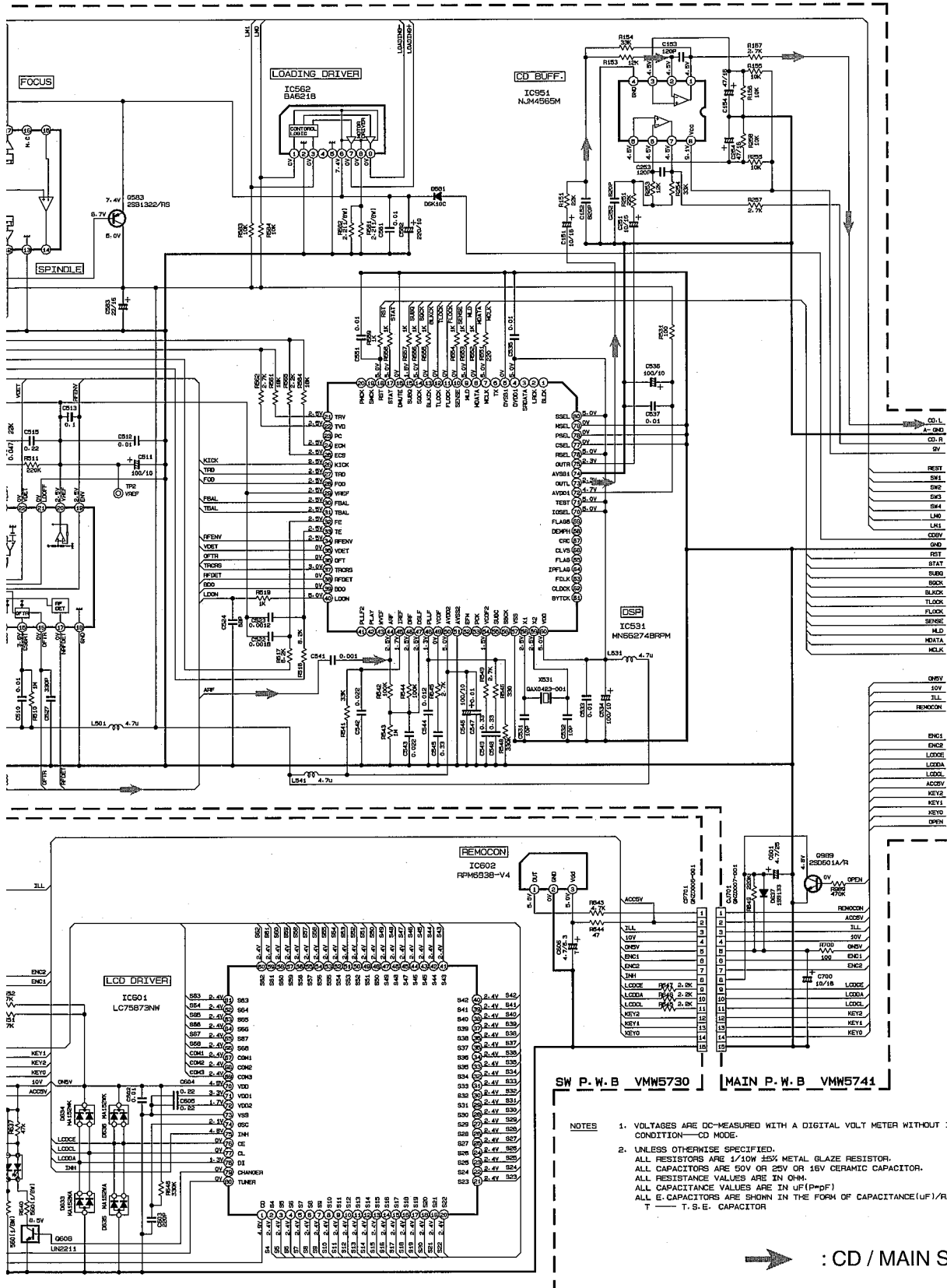
G

H

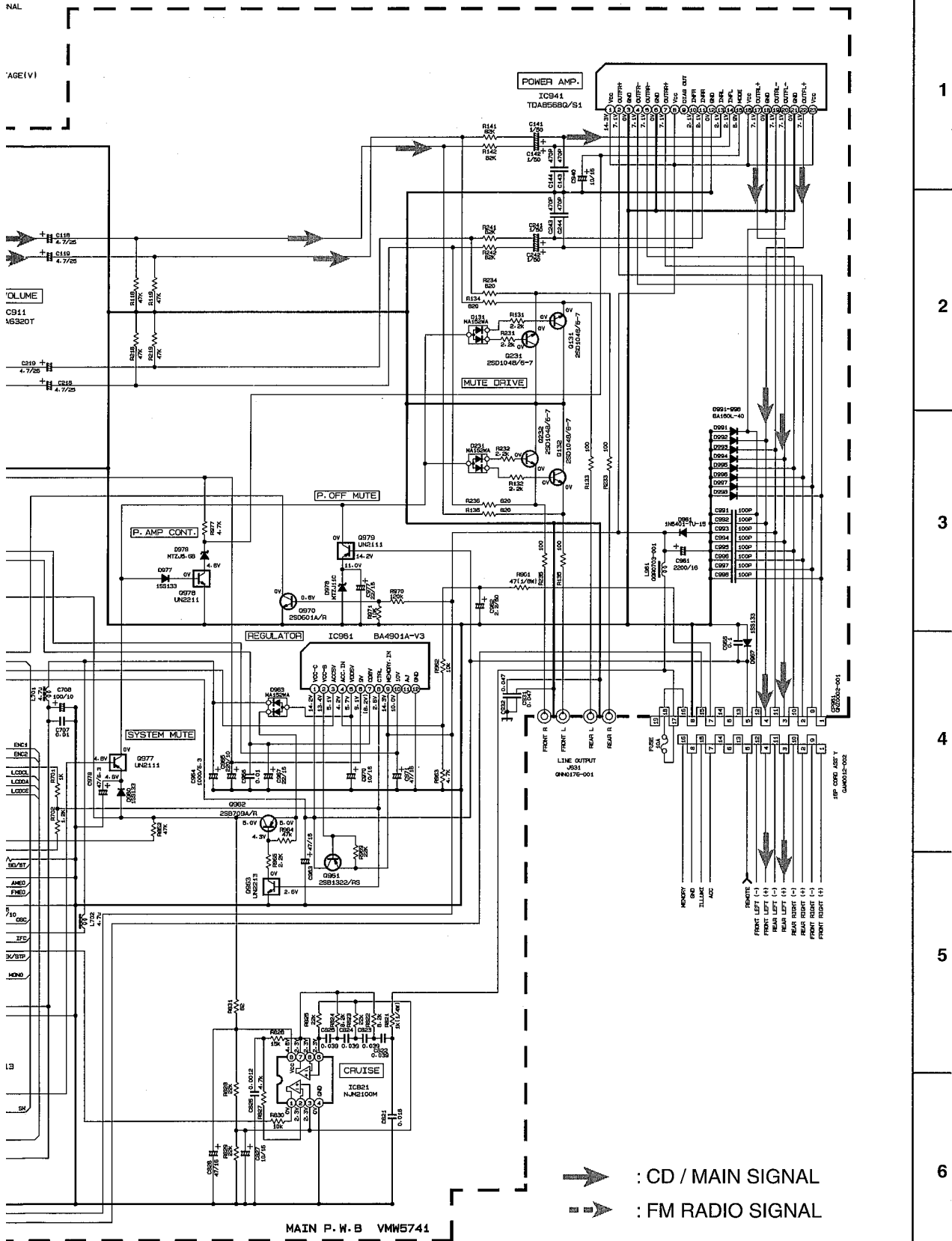
I

■ CD Sevo Control& LCD Driver Circuit (KD-SX939)





→ : CD / MAIN SIGNAL

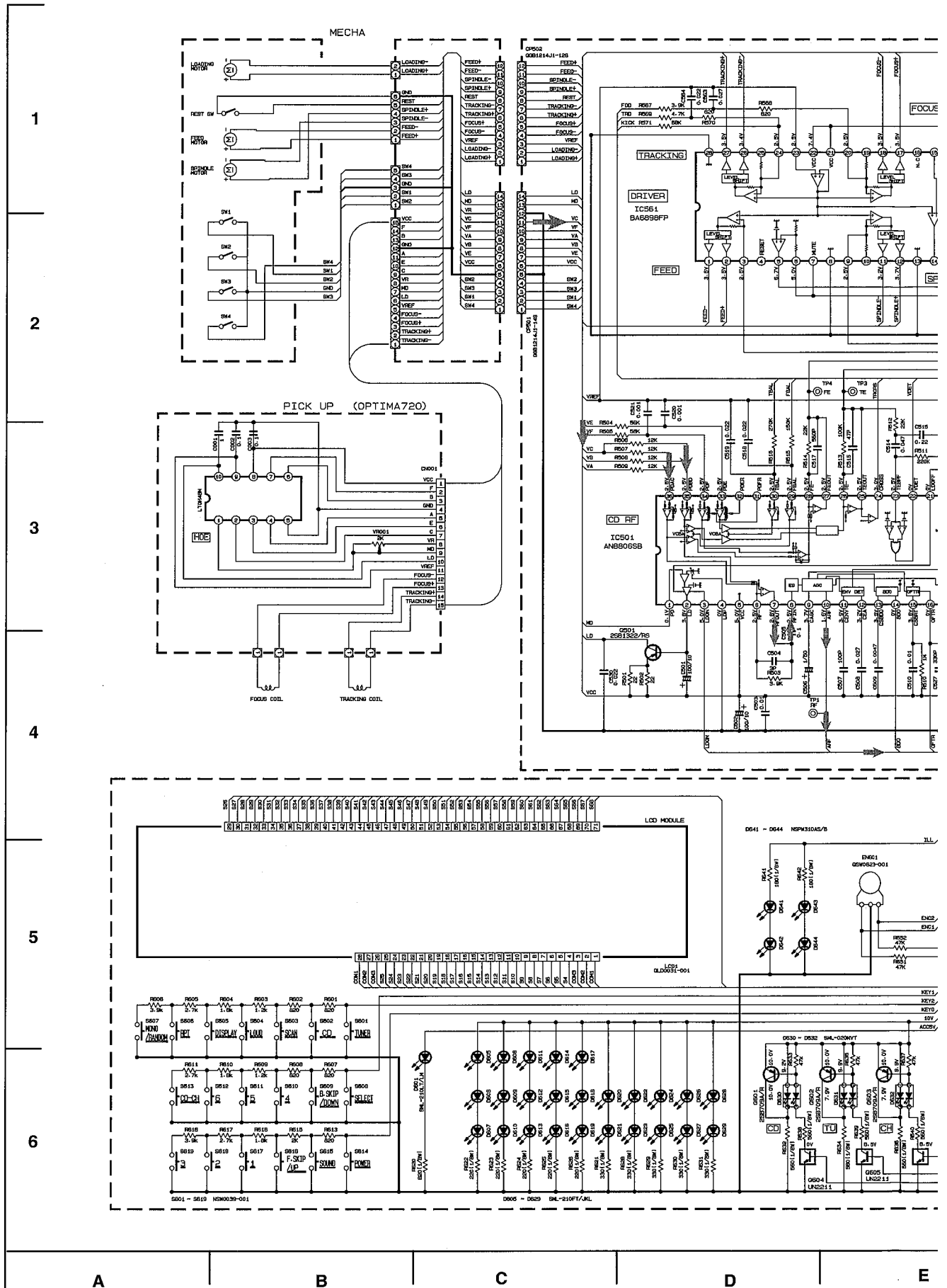


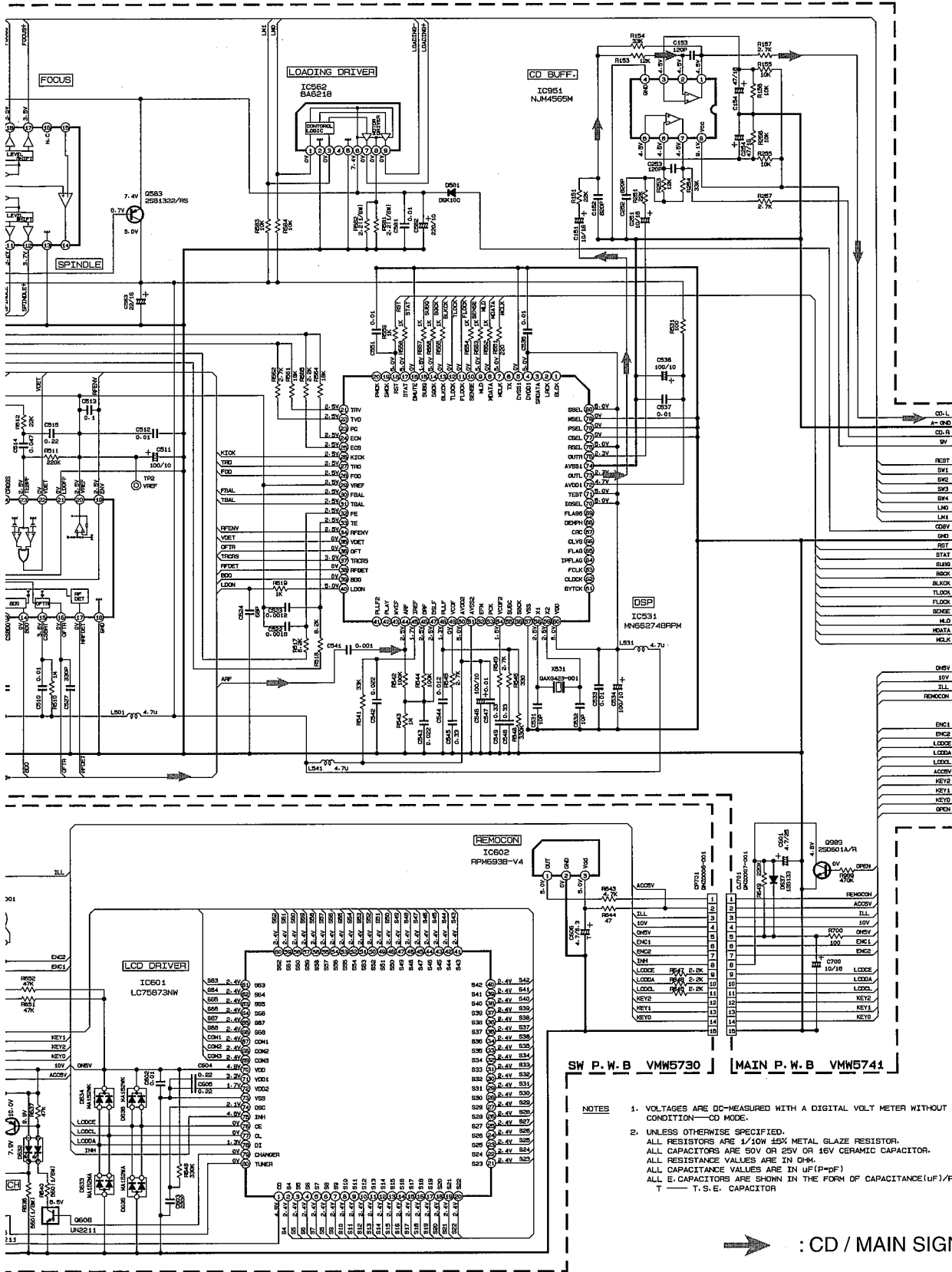
: CD / MAIN SIGNAL
 : FM RADIO SIGNAL

MAIN P. W. B VM5741

F G H I

■ CD Sevo Control & LCD Driver Circuit (KD-SX930)





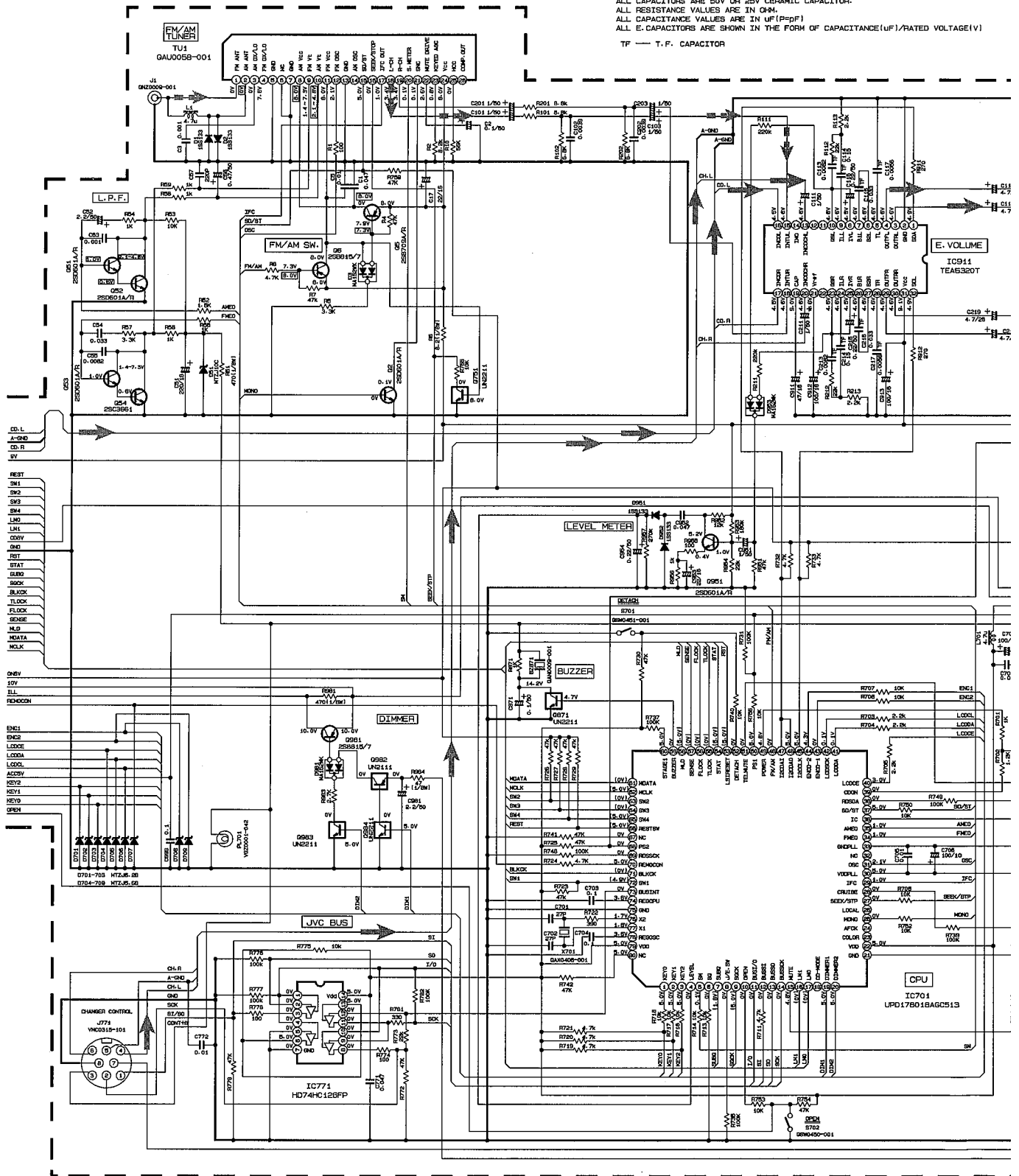
SW P. W. B VM5730 | MAIN P. W. B VM5741

- NOTES
1. VOLTAGES ARE DC-MEASURED WITH A DIGITAL VOLT METER WITHOUT INPUT SIGNAL CONDITION—CD MODE.
 2. UNLESS OTHERWISE SPECIFIED, ALL RESISTORS ARE 1/40W 15% METAL GLAZE RESISTOR. ALL CAPACITORS ARE 50V OR 25V OR 16V CERAMIC CAPACITOR. ALL RESISTANCE VALUES ARE IN OHM. ALL CAPACITANCE VALUES ARE IN UF(P-PF) ALL E. CAPACITORS ARE SHOWN IN THE FORM OF CAPACITANCE(UF)/RATED VOLTAGE(V) T — T. S. E. CAPACITOR

➔ : CD / MAIN SIGNAL

Receiver & Power Amplifier Circuit (KD-SX930)

- NOTES**
- VOLTAGES ARE DC-MEASURED WITH A DIGITAL VOLT METER WITHOUT INPUT SIGNAL CONDITION—FM MODE. □ AM MODE. () CD MODE.
 - UNLESS OTHERWISE SPECIFIED, ALL RESISTORS ARE 1/10W 25K METAL GLAZE RESISTOR. ALL CAPACITORS ARE 50V OR 25V CERAMIC CAPACITOR. ALL RESISTANCE VALUES ARE IN OHM. ALL CAPACITANCE VALUES ARE IN UF (PpF) ALL E. CAPACITORS ARE SHOWN IN THE FORM OF CAPACITANCE(UF)/RATED VOLTAGE(V) TF — T. F. CAPACITOR



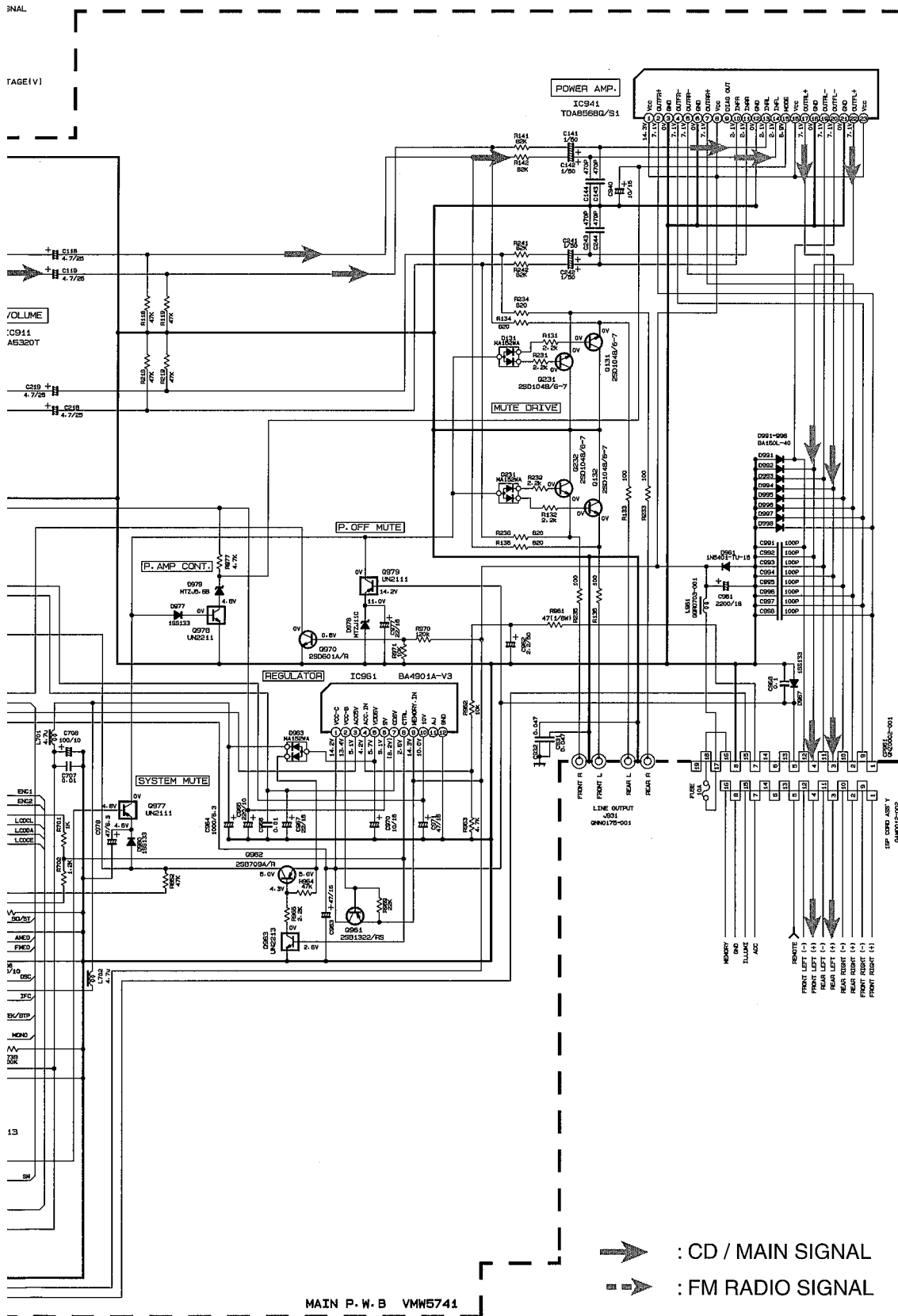
A

B

C

D

E



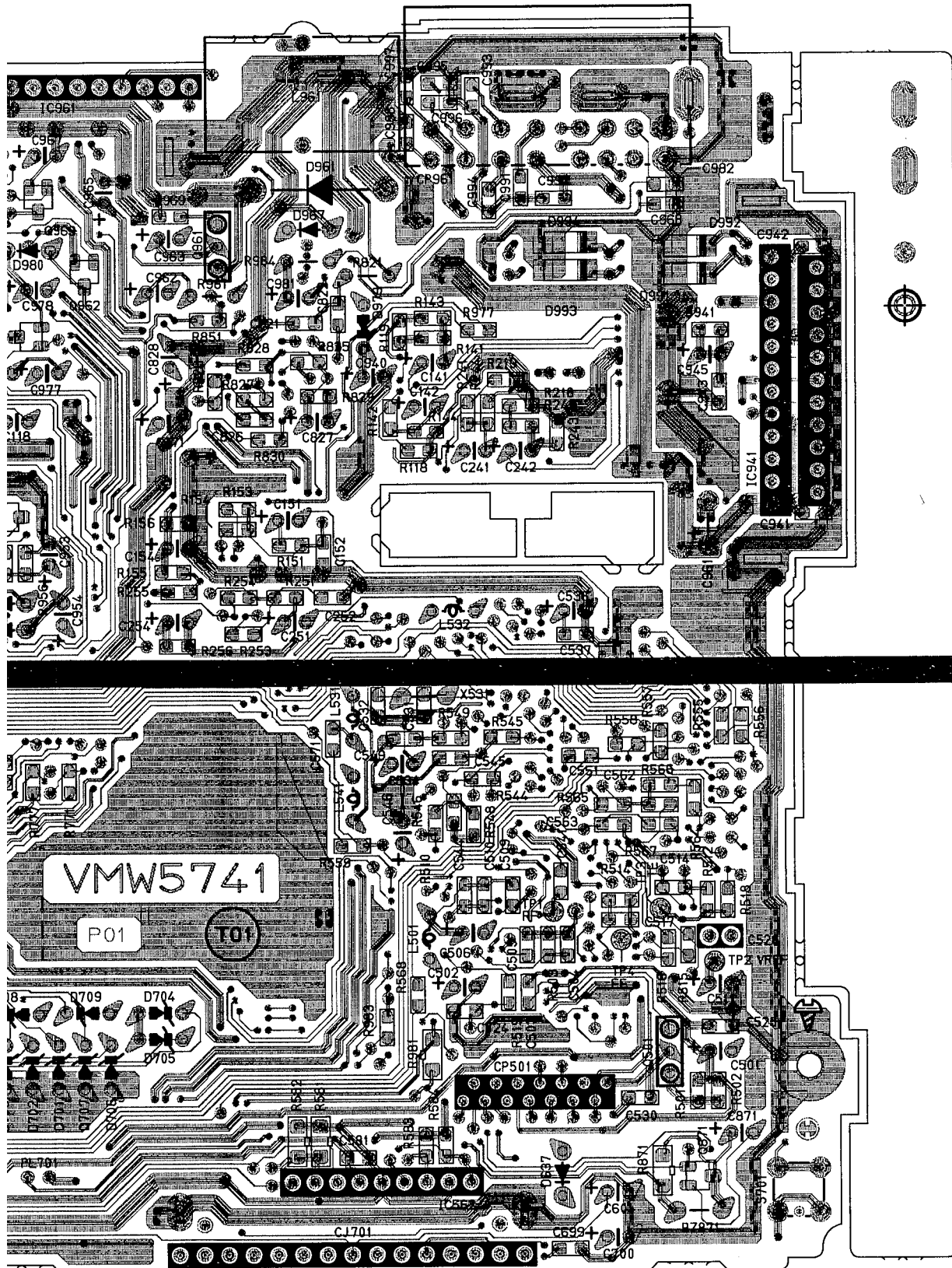
➔ : CD / MAIN SIGNAL
 ⬅ : FM RADIO SIGNAL

1
2
3
4
5
6

F G H I

) KD-SX939
) KD-SX930

(Solder Side)



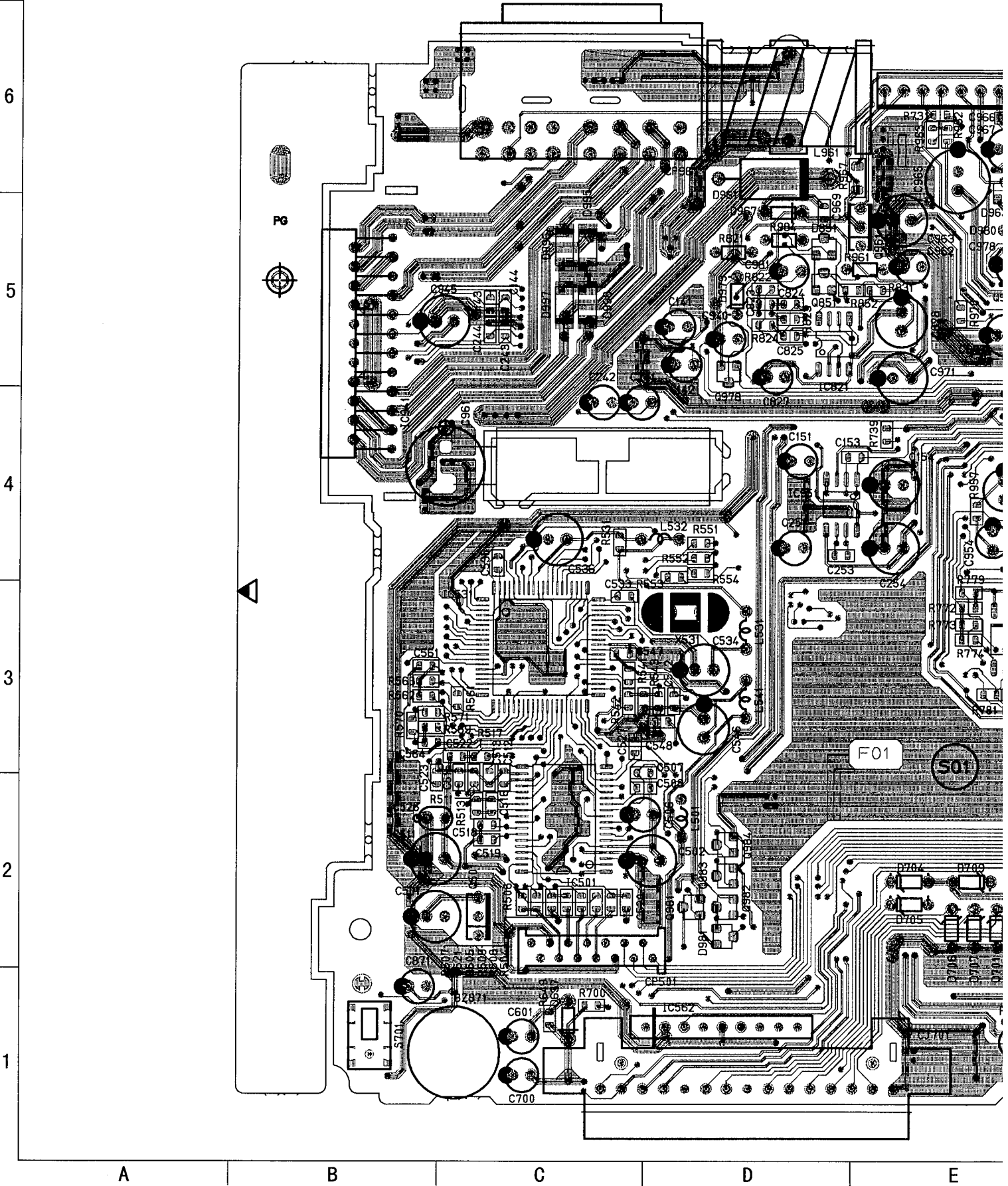
E

F

G

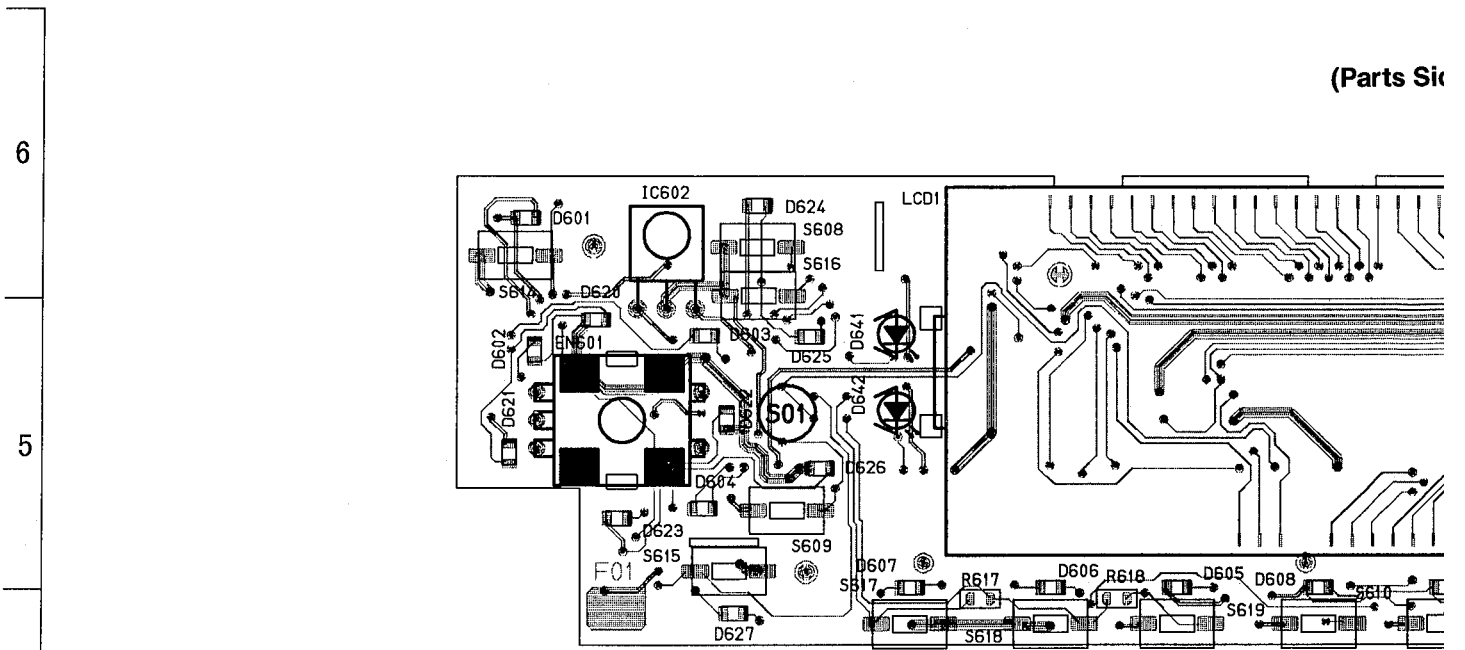
H

I

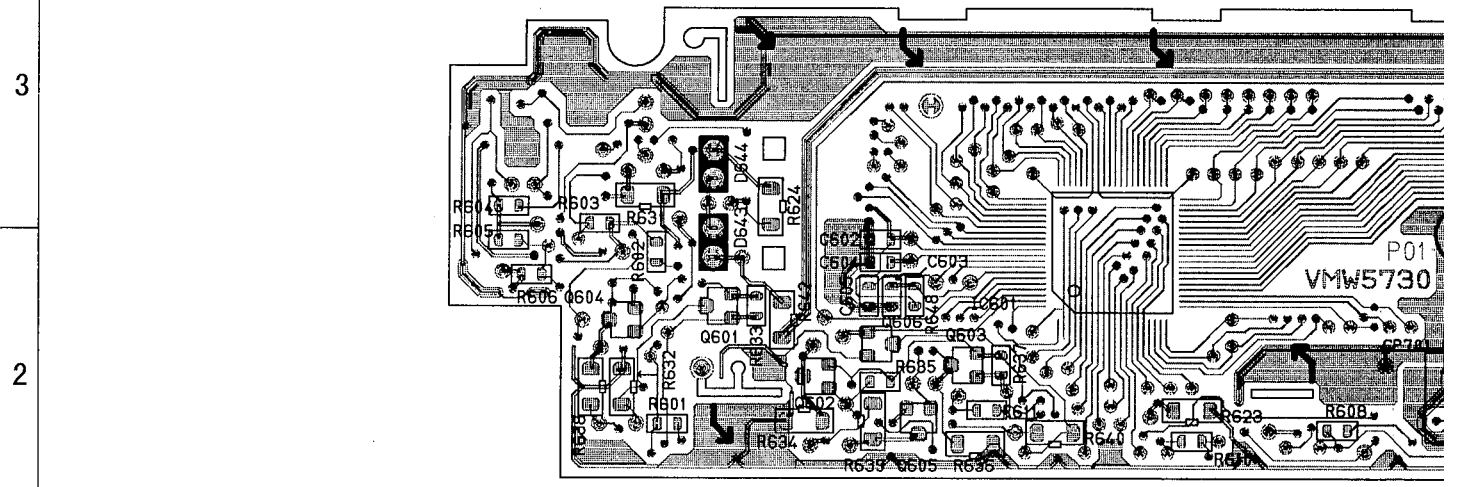


■ LCD Driver & Operation Switch Board: Block No. 02

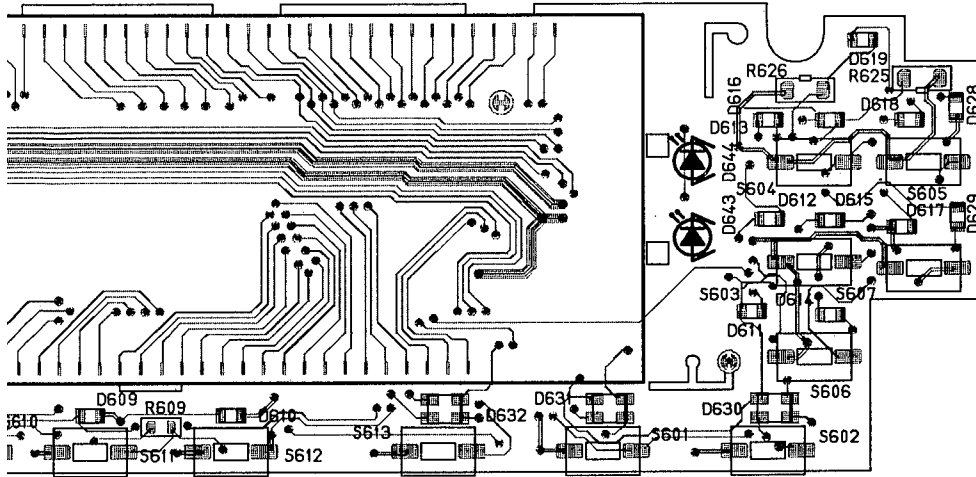
(Parts Si



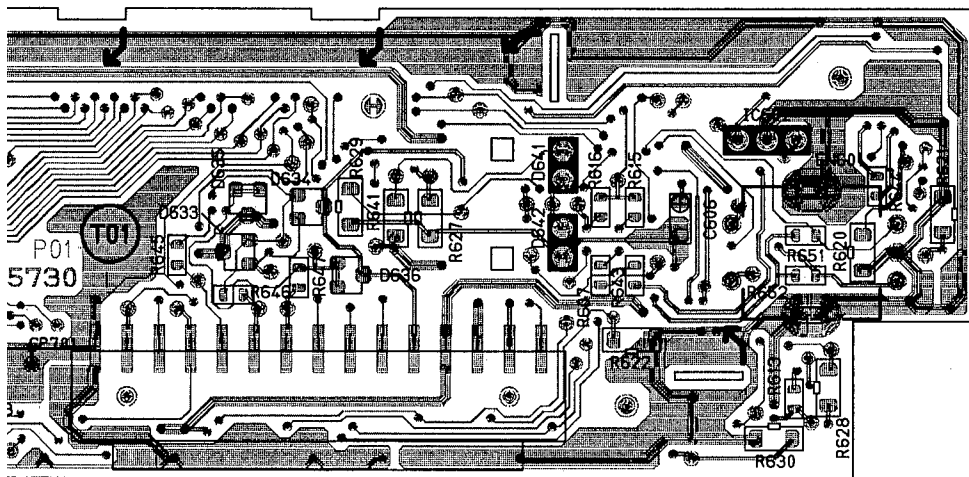
(Solder Si



arts Side)



lder Side)



E

F

G

H

I

PARTS LIST

[KD-SX939/KD-SX930]

* All printed circuit boards and its assemblies are not available as service parts.

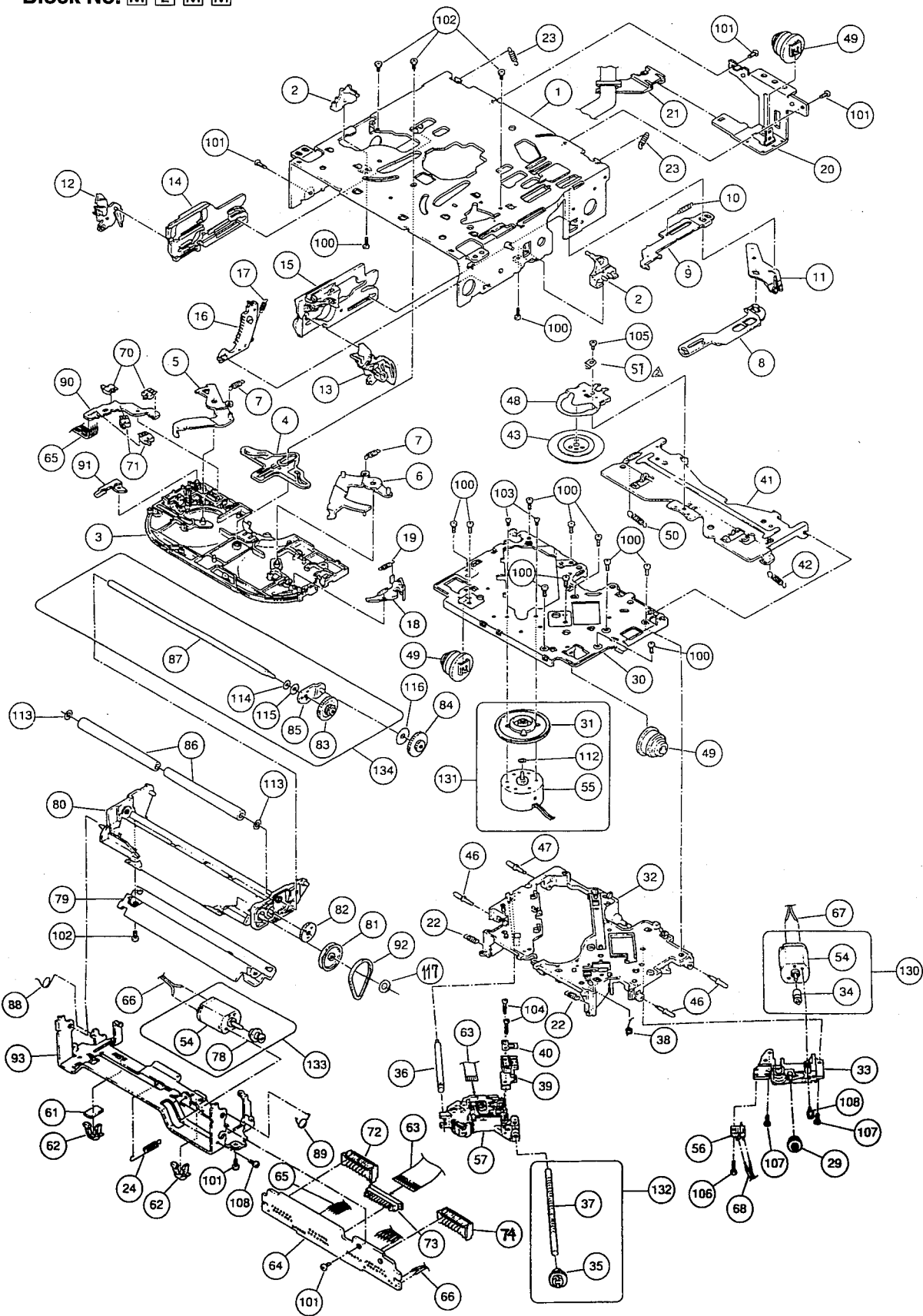
The Marks for Designated Areas
J ----- U.S.A

- Contents -

Exploded View of CD Mechanism and Parts List -----	4-2,3
Exploded View of General Assembly and Parts List -----	4-4 ~ 6
Electrical Parts List	
Main Board -----	4-7 ~ 11
LCD Driver & Operation switch Board -----	4-11,12
Packing Materials and Accessories List -----	4-13,14

Exploded View of CD Mechanism and Parts List

Block No. **M 2 M M**



■ CD Mechanism Parts List

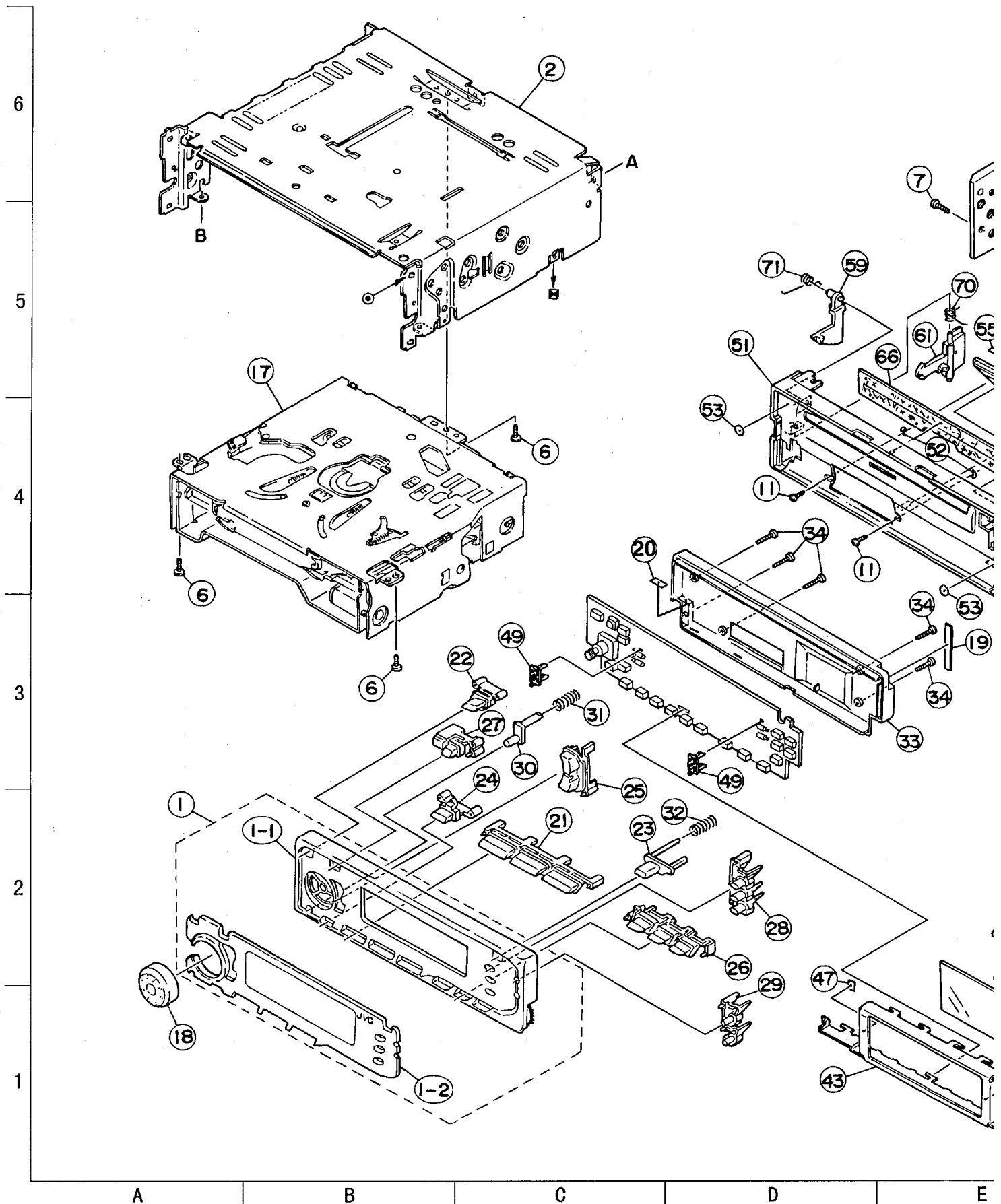
BLOCK NO. M2MM 111

△	REF.	PARTS NO.	PARTS NAME	REMARKS	QTY	SUFFIX	CLR
	1	30310101T	FRAME		1		
	2	30310103T	DANPER PIN		2		
	3	30310107T	UPPER PLATE		1		
	4	30310108T	SEL STOP PLATE		1		
	5	30310109T	SEL ARM (L)		1		
	6	30310110T	SEL ARM (R)		1		
	7	30310133T	S ARM SPRING		2		
	8	30310112T	TRIG LEVER		1		
	9	30310114T	TRIG PLATE		1		
	10	30310115T	TRIG PL SPRING		1		
	11	30310116T	TRIG ARM		1		
	12	30310117T	FIX ARM (L)		1		
	13	30310118T	FIX ARM (R)		1		
	14	30310119T	FIX PLATE (L)		1		
	15	30310120T	FIX PLATE (R)		1		
	16	30310121T	LDG GEAR (6)		1		
	17	30310122T	LDG GEAR (6)SP		1		
	18	30310124T	S.L ARM		1		
	19	30310125T	S.L ARM SPRING		1		
	20	30310126T	REAR DAM BKT(J)		1		
	21	30310127T	FPC GUIDE		1		
	22	30310128T	HUNG UP SP (F)		2		
	23	30310129T	HUNG UP SP (R)		2		
	24	30310130T	LEVEL SPRING		1		
	29	30300510T	PU GEAR(B)		1		
	30	30310501T	TTB		1		
	31	-----	TURN TABLE		1		
	32	30310503T	FMB		1		
	33	30310504T	FD GR BRACKET		1		
	34	-----	FD GEAR (A)		1		
	35	-----	FD GEAR (C)		1		
	36	30310538T	PU SHAFT		1		
	37	-----	FD SCREW		1		
	38	30310510T	THRUST SPRING		1		
	39	30310511T	PU M NUT		1		
	40	30310512T	NUT PUSH SPR PL		1		
	41	30310513T	CLP ARM		1		
	42	30310514T	CLP ARM SPRING		1		
	43	30310515T	CLAMPER		1		
	46	30310521T	LOCK PIN		3		
	47	30310522T	LOCK PIN BL		1		
	48	30310523T	CLAMPER PLATE		1		
	49	30310524T	DAMPER (J)		3		
	50	30310525T	CLP ARM SPR (L)		1		
	51	30310536T	STOPPER SPRING		1		
	54	-----	FEED MOTOR	FF030PK-09210	2		
	55	-----	SPINDLE MOTOR		1		
	56	64180404T	DET SWITCH	ESE11HS2	1		
	57	OPTIMA-720A1	CD.PICK UNIT		1		
	61	11050210T	FELT		1		
	62	19501403T	WIRE CLAMPER		2		
	63	30311019T	PICK UP FPC(J)		1		
	64	30311018T	CONNECTER PCB(J)		1		
	65	30311022T	WIRE (5P-J)		1		

BLOCK NO. M2MM

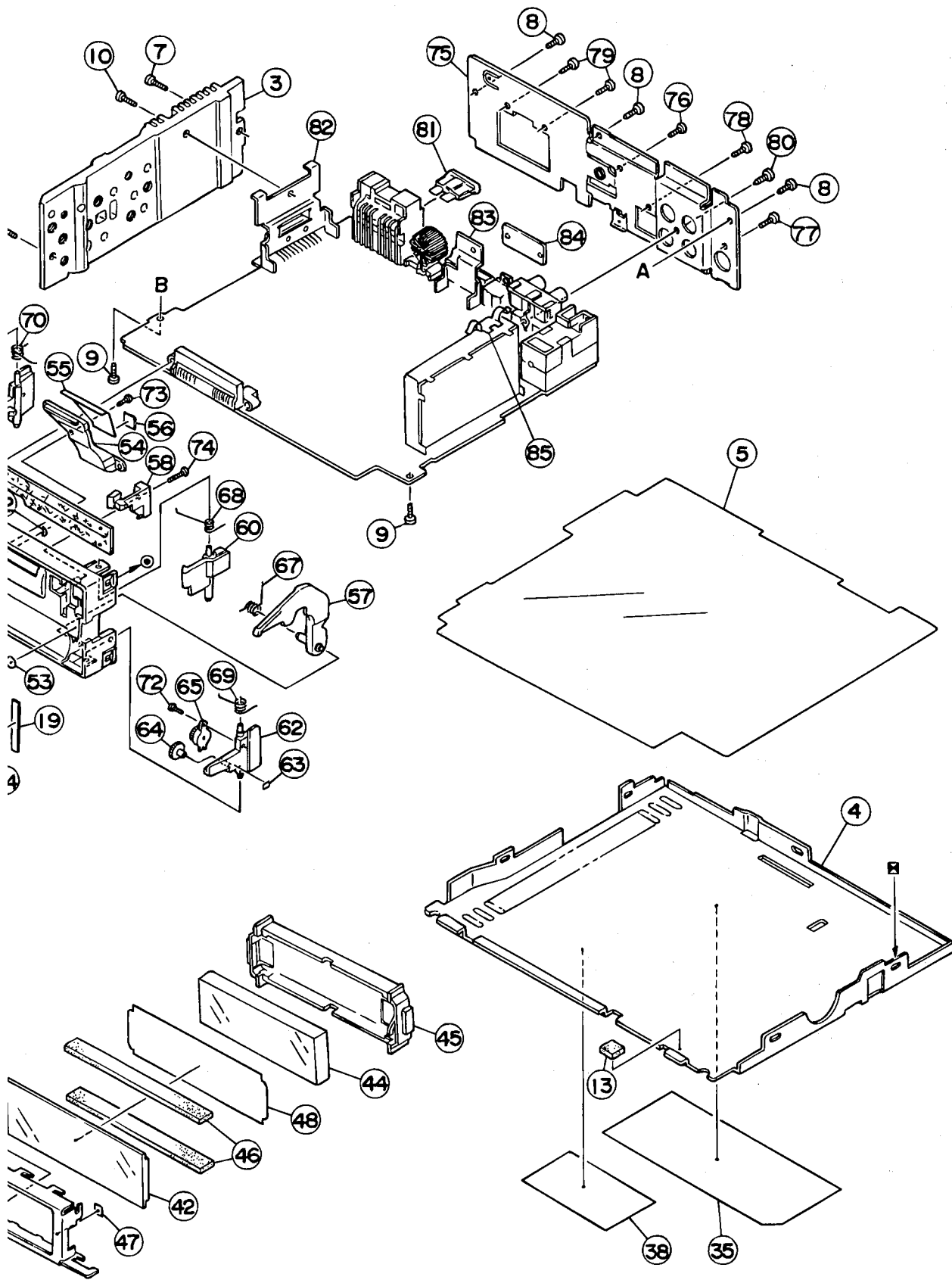
REF.	PARTS NO.	PARTS NAME	REMARKS	QTY	SUFFIX	CLR
66	30311023T	WIRE (LD-J)		1		
67	30311006T	WIRE (FD)		1		
68	30311007T	WIRE (RS)		1		
70	64180402T	DET SWITCH	ESE22MH1	2		
71	64180403T	DET SWITCH	ESE22MH3	2		
72	68150235T	CONNECTOR	TKC-F14P-J3	1		
73	68170224T	CONNECTOR (15P)	6208010115	1		
74	68150237T	CONNECTOR (12P)		1		
78	-----	LDG PULLEY		1		
79	30311105T	SOPPORT PLATE		1		
80	30311108T	GR MT BLK		1		
81	30311109T	LDG GEAR (2)		1		
82	30311110T	LDG GEAR (3)		1		
83	-----	LDG GEAR (4)		1		
84	30311112T	LDG GEAR (5)		1		
85	-----	LDG GR ARM		1		
86	30311114T	LDG ROLLER		2		
87	-----	LDG RLR SHAFT		1		
88	30311118T	L.P SPRING (L)		1		
89	30311119T	L.P SPRING (R)		1		
90	30311123T	SW PCB		1		
91	30311124T	SW ACTUATOR		1		
92	30311129T	LDG BELT		1		
93	30311130T	FRONT BRKT (J)		1		
100	9C0620503T	C B TAP SCREW	M2X5	12		
101	9C2020401T	C SCREW TS.G	M2X4	5		
102	9C4320403T	C B TAP SCREW	M2X4	4		
103	9C0117223T	SCREW	M1.7X2.2	2		
104	9C0317803T	C SCREW	M1.7X8	2		
105	9C4220201T	C TAP SCREW S3	M2X2	1		
106	9C4420003T	C TAP SCREW B3	M2X10	1		
107	9C4420503T	C TAP SCREW B3	M2X5	2		
108	9P0220031T	TAMS SCREW	M2X4	2		
112	-----	POLY WASHER		1		
113	9W0330276T	POLY WASHER	2.9X5X0.3	2		
114	-----	WAVE WASHER		1		
115	-----	LUMILAR WASHER		1		
116	9W0725030T	LUMILAR W		1		
117	9W0640030T	WASHER		1		
130	303105301T	FFED MOTOR ASSY	NO.34,54	1		
131	303105302T	SP MOTOR ASSY	NO.31,55,112	1		
132	303105303T	FEED SCREW ASSY	NO.35,37	1		
133	303111301T	LDG MOTOR ASSY	NO.54,78	1		
134	303111302T	RDG RLR SFT ASY	NO.83,85,87	1		
		RDG RLR SFT ASY	114,115	1		

Exploded View of General Assembly and Parts List



KD-SX939
KD-SX930

Block No. **M 1 M M**



E | F | G | H | I

■ General Assembly Parts List

BLOCK NO. MIIMIII

△	REF.	PARTS NO.	PARTS NAME	REMARKS	QTY	SUFFIX	CLR
	1	ZCKDSX930J-NPA	NOSE PIECE	KD-SX930 ONLY	1		
		ZCKDSX939J-NPA	NOSE PIECE	KD-SX939 ONLY	1		
	1-1	VJG1514-001	FRONT PANEL		1		
	1-2	VJK2226-105	FINDER	KD-SX930 ONLY	1		
		VJK2226-104	FINDER	KD-SX939 ONLY	1		
	2	FSJC1029-001	TOP CHASSIS		1		
	3	FSMH3001-002	SIDE PANEL		1		
	4	FSKM3011-001	BOTTOM COVER		1		
	5	FSMA3004-003	INSULATOR		1		
	6	SDST2604Z	SCREW	CHASSIS+CD MECH	3		
	7	FSKZ4005-001	SCREW	CHASSIS+SIDE PA	2		
	8	SDST2606Z	SCREW	CHASSIS+REAR BK	3		
	9	SDST2606Z	SCREW	CHASSIS+MAIN PW	2		
	10	FSKZ4005-001	SCREW	SIDE PANEL+IC B	1		
	11	SDSF2006M	SCREW	F, CHASSIS+CONEC	2		
	13	VYSR103-048	SPACER		1		
	17	-----	CD MECHA		1		
	18	FSXK3002-00A	VOL.KNOB ASS'Y	KD-SX939 ONLY	1		
		FSXK3002-00B	VOL.KNOB ASS'Y	KD-SX930 ONLY	1		
	19	VYSS1R4-047	SPACER		1		
	20	VYSS1R1-111	SPACER		1		
	21	FSXP2025-001	PRESET BUTTON	KD-SX930 ONLY	1		
		FSXP2025-002	PRESET BUTTON	KD-SX939 ONLY	1		
	22	VXP3895-001	POWER BUTTON		1		
	23	VXP3896-001	EJECT BUTTON		1		
	24	VXP3905-001	PUSH BUTTON	SOUND	1		
	25	FSXP2031-001	UP DOWN BUTTON	KD-SX939 ONLY	1		
		FSXP2031-002	UP DOWN BUTTON	KD-SX930 ONLY	1		
	26	FSXP2029-005	D.FUNC BUTTON	CD/FM/AM	1		
	27	VXP3894-001	SEL BUTTON		1		
	28	VXP3898-001	PUSH BUTTON		1		
	29	VXP3899-001	PUSH BUTTON		1		
	30	VXP3826-001	DETACH BUTTON		1		
	31	VKW3001-330	COMP.SPRING	FOR DETACH BUTT	1		
	32	VKW3001-330	COMP.SPRING	FOR EJECT BUTTO	1		
	33	VJG1515-001	REAR COVER		1		
	34	VKZ4777-001	MINI SCREW	FRONT+REAR	5		
	35	VYN3835-S001	NAME PLATE	KD-SX930 ONLY	1		
		VYN3831-S001	NAME PLATE	KD-SX939 ONLY	1		
	38	VND4922-001	CAUTION LABEL		1		
	42	QLD0031-001	LCD MODULE		1		
	43	VKM3960-001	LCD CASE		1		
	44	VJK3731-002	LCD LENS		1		
	45	VKS2287-001	LENS CASE		1		
	46	QNZ0088-001	RUBBER CONNE		2		
	47	VYSS1R6-013	SPACER		2		
	48	VYTT718-003	LCD FILTER		1		
	49	VKS5594-001	LED HOLDER		2		
	51	VJG1445-002	FRONT CHASSIS		1		
	52	VYTT708-001	SHEET		2		
	53	VYSS2R4-016	SPACER		2		
	54	VJK3709-001	LIGHT LENS		1		
	55	VYTT709-001	SHEET	FOR LIGHT LENS	1		
	56	VYSR101-027	SPACER		1		
	57	VKS3792-002	OPEN LEVER		1		

BLOCK NO. M1MM III

REF.	PARTS NO.	PARTS NAME	REMARKS	QTY	SUFFIX	CLR
58	VKS3797-002	LOCK LEVER(O.L)		1		
59	VKS3798-001	RELEASE LEVER		1		
60	VKS3793-001	LOCK LEVER(TOP)		1		
61	VKS3794-003	LOCK LEVER(L)		1		
62	VKS3795-002	LOCK LEVER(R)		1		
63	VYSS1R5-042	SPACER		1		
64	VKS5563-001	GEAR		1		
65	VKZ4786-002	OIL DAMPER		1		
66	VYTA526-001	BLIND		1		
67	VKW5260-003	T.SPRING	FOR OPEN LEVER	1		
68	VKW5261-001	T.SPRING	FOR L.LEVER(TOP)	1		
69	VKW5262-001	T.SPRING	FOR L.LEVER(R)	1		
70	VKW5263-002	T.SPRING	FOR L.LEVER(L)	1		
71	VKW5264-004	T.SPRING	FOR RELEASE LEV	1		
72	SDSF2006M	SCREW	DAMPER+L.LEVER(C	1		
73	VKZ4777-001	MINI SCREW	L.LENS+F.CHASSI	1		
74	VKZ4777-001	MINI SCREW		1		
75	FSKM3010-001	REAR BRACKET		1		
76	SDST2606Z	SCREW	REG.BRK	1		
77	SDST2606Z	SCREW	ANT	1		
78	SDST2606Z	SCREW	CHANGER	1		
79	SDSP2606Z	SCREW	POWER CONN.	2		
80	SDSF3006Z	SCREW	PIN	1		
81	QMFZ021-100-J1	FUSE		1		
82	FSKL4013-002	IC BRACKET		1		
83	FSKL4015-002	REG BRACKET		1		
84	FSKL4014-002	HEAT SINK		1		
85	VMA4652-001SS	EARTH PLATE		1		

Electrical Parts List

Main Board

BLOCK NO. 01111111		BLOCK NO. 01111111			
A	REF.	PARTS NO.	PARTS NAME	REMARKS	SUFFIX
B	4	NCB21HK-103AY	C CAPACITOR	-010MF 10% 50V	
BZ871		QAN0009-001Z	BUZZER		
C	1	NCB21HK-473AY	C CAPACITOR	.047MF 10% 25V	
C	2	QEK41HM-104	E.CAPACITOR	.10MF 20% 50V	
C	3	NCB21HK-102AY	C CAPACITOR	1000PF 10% 50V	
C	5	NCB21HK-103AY	C CAPACITOR	.010MF 10% 50V	
C	17	QEK41CM-226	E CAPACITOR	22MF 20% 16V	
C	51	QET41CM-227	E.CAPACITOR	220MF 20% 16V	
C	52	QER41HM-225	E.CAPACITOR	2.2MF 20% 50V	
C	53	NCB21HK-102AY	C CAPACITOR	1000PF 10% 50V	
C	54	NCB21HK-333AY	C CAPACITOR	.033MF 10% 50V	
C	55	NCB21HK-822AY	C CAPACITOR	8200PF 10% 50V	
C	56	QEK41HM-474	E CAPACITOR	.47MF 20% 50V	
C	57	NCB21HJ-221AY	C CAPACITOR	220PF 5% 50V	
C	101	QEK41HM-105	E.CAPACITOR	1.0MF 20% 50V	
C	102	NCB21HK-392AY	C CAPACITOR	3900PF 10% 50V	
C	103	QER41HM-105	E.CAPACITOR	1.0MF 20% 50V	
C	111	QEK41HM-105	E.CAPACITOR	1.0MF 20% 50V	
C	113	QFLA1HJ-822ZM	M.CAPACITOR	8200PF 5% 50V	
C	114	QFV11HJ-154AZM	TF CAPACITOR	-15MF 5% 50V	
C	115	QEK41HM-224	E.CAPACITOR	.22MF 20% 50V	
C	116	QFV41HJ-333	TF CAPACITOR	.033MF 5% 50V	
C	117	QFLA1HJ-562ZM	M.CAPACITOR	5600PF 5% 50V	
C	118	QEK41EM-475	E.CAPACITOR	4.7MF 20% 25V	
C	119	QEK41EM-475	E.CAPACITOR	4.7MF 20% 25V	
C	141	QER41HM-105	E.CAPACITOR	1.0MF 20% 50V	
C	142	QER41HM-105	E.CAPACITOR	1.0MF 20% 50V	
C	143	NCB21HJ-471AY	C CAPACITOR	470PF 5% 50V	
C	144	NCB21HJ-471AY	C CAPACITOR	470PF 5% 50V	
C	151	QEK41CM-106	E CAPACITOR	10MF 20% 16V	
C	152	NCB21HJ-821AY	C CAPACITOR	820PF 5% 50V	
C	153	NCB21HJ-121AY	C CAPACITOR	120PF 5% 50V	
C	154	QEK41CM-476	E.CAPACITOR	47MF 20% 16V	
C	201	QEK41HM-105	E.CAPACITOR	1.0MF 20% 50V	
C	202	NCB21HK-392AY	C CAPACITOR	3900PF 10% 50V	
C	203	QER41HM-105	E.CAPACITOR	1.0MF 20% 50V	
C	211	QEK41HM-105	E.CAPACITOR	1.0MF 20% 50V	
C	213	QFLA1HJ-822ZM	M.CAPACITOR	8200PF 5% 50V	
C	214	QFV11HJ-154AZM	TF CAPACITOR	-15MF 5% 50V	
C	215	QEK41HM-224	E.CAPACITOR	.22MF 20% 50V	
C	216	QFV41HJ-333	TF CAPACITOR	.033MF 5% 50V	
C	217	QFLA1HJ-562ZM	M.CAPACITOR	5600PF 5% 50V	
C	218	QEK41EM-475	E.CAPACITOR	4.7MF 20% 25V	
C	219	QEK41EM-475	E.CAPACITOR	4.7MF 20% 25V	
C	241	QER41HM-105	E.CAPACITOR	1.0MF 20% 50V	
C	242	QER41HM-105	E.CAPACITOR	1.0MF 20% 50V	
C	243	NCB21HJ-471AY	C CAPACITOR	470PF 5% 50V	
C	244	NCB21HJ-471AY	C CAPACITOR	470PF 5% 50V	
C	251	QEK41CM-106	E CAPACITOR	10MF 20% 16V	
C	252	NCB21HJ-821AY	C CAPACITOR	820PF 5% 50V	
C	253	NCB21HJ-121AY	C CAPACITOR	120PF 5% 50V	
C	254	QEK41CM-476	E.CAPACITOR	47MF 20% 16V	
C	501	QER41AM-107	E.CAPACITOR	100MF 20% 10V	
C	502	QER41AM-107	E.CAPACITOR	100MF 20% 10V	
C	503	NCB21HK-103AY	C CAPACITOR	.010MF 10% 50V	

BLOCK NO. 01111111		BLOCK NO. 01111111			
A	REF.	PARTS NO.	PARTS NAME	REMARKS	SUFFIX
C	504	NCB21HC-330AY	C CAPACITOR	3.0PF 5% 50V	
C	505	NCB21HK-104	C CAPACITOR	.10MF 10% 25V	
C	506	QEK41HM-105	E.CAPACITOR	1.0MF 20% 50V	
C	507	NCB21HJ-101AY	C CAPACITOR	100PF 5% 50V	
C	508	NCB21HK-273AY	C CAPACITOR	.027MF 10% 50V	
C	509	NCB21HK-472AY	C CAPACITOR	4700PF 10% 50V	
C	510	NCB21HK-103AY	C CAPACITOR	.010MF 10% 50V	
C	511	QER41AM-107	E.CAPACITOR	100MF 20% 10V	
C	512	NCB21HK-103AY	C CAPACITOR	.010MF 10% 50V	
C	513	NCB21HK-104	C CAPACITOR	.10MF 10% 25V	
C	514	NCB21HK-473AY	C CAPACITOR	.047MF 10% 25V	
C	515	NCB21CK-224AYU	C CAPACITOR	.22MF 10% 16V	
C	516	NCB21HJ-470AY	C CAPACITOR	47PF 5% 50V	
C	517	NCB21HJ-561AY	C CAPACITOR	560PF 5% 50V	
C	518	NCB21HK-223AY	C CAPACITOR	.022MF 10% 50V	
C	519	NCB21HK-223AY	C CAPACITOR	.022MF 10% 50V	
C	520	NCB21HK-102AY	C CAPACITOR	1000PF 10% 50V	
C	521	NCB21HK-102AY	C CAPACITOR	1000PF 10% 50V	
C	522	NCB21HK-182AY	C CAPACITOR	1800PF 10% 50V	
C	523	NCB21HJ-122AYM	C CAPACITOR	1200PF 5% 50V	
C	524	NCB21HJ-680AY	C CAPACITOR	68PF 5% 50V	
C	527	NCB21HJ-331AY	C CAPACITOR	330PF 5% 50V	
C	530	NCB21HK-223AY	C CAPACITOR	.022MF 10% 50V	
C	531	NCB21HJ-100X	C CAPACITOR		
C	532	NCB21HJ-100X	C CAPACITOR		
C	533	NCB21HK-103AY	C CAPACITOR	.010MF 10% 50V	
C	534	QEK41AM-107ZN	E.CAPACITOR	100MF 20% 10V	
C	535	NCB21HK-103AY	C CAPACITOR	.010MF 10% 50V	
C	536	QEK41AM-107ZN	E.CAPACITOR	100MF 20% 10V	
C	541	NCB21HK-103AY	C CAPACITOR	.010MF 10% 50V	
C	542	NCB21HK-223AY	C CAPACITOR	.022MF 10% 50V	
C	543	NCB21HK-223AY	C CAPACITOR	.022MF 10% 50V	
C	544	NCB21HK-123AY	C CAPACITOR	.012MF 10% 50V	
C	545	NCB21CK-334AY	C CAPACITOR	.33MF 10% 16V	
C	546	QER41AM-107ZN	E.CAPACITOR	100MF 20% 10V	
C	547	NCB21HK-103AY	C CAPACITOR	.010MF 10% 50V	
C	548	NCB21CK-334AY	C CAPACITOR	.33MF 10% 16V	
C	549	NCB21CK-334AY	C CAPACITOR	.33MF 10% 16V	
C	551	NCB21HK-103AY	C CAPACITOR	.010MF 10% 50V	
C	563	NCB21HK-273AY	C CAPACITOR	.027MF 10% 50V	
C	564	NCB21HK-223AY	C CAPACITOR	.022MF 10% 50V	
C	581	NCB21HK-103AY	C CAPACITOR	.010MF 10% 50V	
C	582	QER41AM-227N	E.CAPACITOR	220MF 20% 10V	
C	583	QER41CM-226	E.CAPACITOR	22MF 20% 16V	
C	601	QER41EM-475VM	E.CAPACITOR	4.7MF 20% 25V	
C	699	NCB21HK-104	C CAPACITOR	.10MF 10% 25V	
C	700	QER41CM-106	E.CAPACITOR	10MF 20% 16V	
C	701	NCB21HJ-270X	C CAPACITOR		
C	702	NCB21HJ-270X	C CAPACITOR		
C	703	NCB21HK-104	C CAPACITOR	.10MF 10% 25V	
C	704	NCB21HK-104	C CAPACITOR	.10MF 10% 25V	
C	705	NCB21HK-103AY	C CAPACITOR	.010MF 10% 50V	
C	706	QER41AM-107	E.CAPACITOR	100MF 20% 10V	
C	707	NCB21HK-103AY	C CAPACITOR	.010MF 10% 50V	

BLOCK NO. 01111111

REF.	PARTS NO.	PARTS NAME	REMARKS	SUFFIX
D 701	MTZJT-916-2C	ZENER DIODE		
D 702	MTZJT-916-2C	ZENER DIODE		
D 703	MTZJT-916-2C	ZENER DIODE		
D 704	MTZJT-915-6B	ZENER DIODE		
D 705	MTZJT-915-6B	ZENER DIODE		
D 706	MTZJT-915-6B	ZENER DIODE		
D 707	MTZJT-915-6B	ZENER DIODE		
D 708	MTZJT-915-6B	ZENER DIODE		
D 709	MTZJT-915-6B	ZENER DIODE		
D 951	1SS133T-91	SI DIODE		
D 952	1SS133T-91	SI DIODE		
D 953	MA152WK-X	SI DIODE		
D 961	1N5401TU-15	DIODE		
D 963	MA152WA-TX	DIODE		
D 967	1SS133T-91	SI DIODE		
D 977	1SS133T-91	SI DIODE		
D 978	MTZJT-9111C	ZENER DIODE		
D 979	MTZJT-915-6B	ZENER DIODE		
D 980	1SS133T-91	SI DIODE		
D 981	MA152WK-X	SI DIODE		
D 991	RB160L-40-X	SB DIODE		
D 992	RB160L-40-X	SB DIODE		
D 993	RB160L-40-X	SB DIODE		
D 994	RB160L-40-X	SB DIODE		
D 995	RB160L-40-X	SB DIODE		
D 996	RB160L-40-X	SB DIODE		
D 997	RB160L-40-X	SB DIODE		
D 998	RB160L-40-X	SB DIODE		
J 501	AN8806SB	IC		
IC531	MN662748RPM	IC		
IC561	BA6898FP-X	IC		
IC562	BA6218	IC		
IC701	UPD178018AGC513	IC		
IC771	HD74HC126FP-X	IC		
IC821	NJM2100NW	IC		
IC911	TEA6320T	IC		
IC941	TD8568G/S1	IC		
IC951	NJM4565M	IC		
IC961	BA4901A-V3	IC		
J 1	GNZ0009-001	CAR ANT JACK		
J 771	VMC0315-101	CONNECTOR		
J 931	VMJ3023-101	PIN JACK		
J 931	VMJ3023-001	PIN JACK		
L 1	QGL244J-4R7Z	INDUCTOR		
L 501	QGL244J-4R7Z	INDUCTOR		
L 531	QGL244J-4R7Z	INDUCTOR		
L 541	QGL244J-4R7Z	INDUCTOR		
L 701	QGL244J-4R7Z	INDUCTOR		
L 702	QGL244J-4R7Z	INDUCTOR		
L 961	QQR0703-001	CHOKE COIL		
PL701	VGZ0001-042	LAMP		
Q 2	2SD601A(R)	TRANSISTOR		
Q 5	2SB709A(Q)	TRANSISTOR		
Q 6	2SB815B7-T-HL	TRANSISTOR		
Q 51	2SD601A(R)	TRANSISTOR		

BLOCK NO. 01111111

REF.	PARTS NO.	PARTS NAME	REMARKS	SUFFIX
C 708	QER41AM-107	E. CAPACITOR	100MF 20% 10V	
C 771	NCB21HK-473AY	C CAPACITOR	.047MF 10% 25V	
C 772	NCB21HK-103AY	C CAPACITOR	.010MF 10% 50V	
C 821	NCB21HK-183AY	C CAPACITOR	KD-SX939 ONLY	
C 822	NCB21HK-393AY	C CAPACITOR	KD-SX939 ONLY	
C 823	NCB21HK-393AY	C CAPACITOR	KD-SX939 ONLY	
C 824	NCB21HK-393AY	C CAPACITOR	KD-SX939 ONLY	
C 825	NCB21HK-393AY	C CAPACITOR	KD-SX939 ONLY	
C 826	NCB21HK-122AY	C CAPACITOR	KD-SX939 ONLY	
C 827	QER41CM-106	E. CAPACITOR	KD-SX939 ONLY	
C 828	QER41CM-476M	E. CAPACITOR	KD-SX939 ONLY	
C 871	QERF1HM-104ZN	E. CAPACITOR	.10MF 20% 50V	
C 911	QER41CM-476	E. CAPACITOR	47MF 20% 16V	
C 912	QERF1CM-107ZN	E. CAPACITOR	100MF 20% 16V	
C 913	QERF1CM-107ZN	E. CAPACITOR	100MF 20% 16V	
C 931	NCB21HK-473AY	C CAPACITOR	.047MF 10% 25V	
C 932	NCB21HK-473AY	C CAPACITOR	.047MF 10% 25V	
C 940	QER41CM-106	E. CAPACITOR	10MF 20% 16V	
C 951	QER41HM-105	E. CAPACITOR	1.0MF 20% 50V	
C 952	NCB21HK-473AY	C CAPACITOR	.047MF 10% 25V	
C 953	QER41CM-226	E. CAPACITOR	22MF 20% 16V	
C 954	QER41HM-224	E. CAPACITOR	.22MF 20% 50V	
C 961	QEZ0338-22B	E. CAPACITOR	2200MF	
C 962	QER41HM-225	E. CAPACITOR	2.2MF 20% 50V	
C 963	QER41CM-476M	E. CAPACITOR	47MF 20% 16V	
C 964	QET80JW-108N	E. CAPA. I.M	1000MF 20% 6.3V	
C 965	QER41HM-227N	E. CAPACITOR	220MF 20% 10V	
C 966	NCB21HK-103AY	C CAPACITOR	.010MF 10% 50V	
C 967	QER41CM-226	E. CAPACITOR	22MF 20% 16V	
C 968	NCB21HK-104	C CAPACITOR	.10MF 10% 25V	
C 970	QER41CM-106	E. CAPACITOR	10MF 20% 16V	
C 971	QER41CM-476	E. CAPACITOR	47MF 20% 16V	
C 977	QER41CM-226	E. CAPACITOR	22MF 20% 16V	
C 978	QERJ0JM-476Z	E. CAPACITOR	47MF 20% 6.3V	
C 981	QER41HM-225	E. CAPACITOR	2.2MF 20% 50V	
C 991	NCB21HJ-101AY	C. CAPACITOR	100PF 5% 50V	
C 992	NCB21HJ-101AY	C. CAPACITOR	100PF 5% 50V	
C 993	NCB21HJ-101AY	C. CAPACITOR	100PF 5% 50V	
C 994	NCB21HJ-101AY	C. CAPACITOR	100PF 5% 50V	
C 995	NCB21HJ-101AY	C. CAPACITOR	100PF 5% 50V	
C 996	NCB21HJ-101AY	C. CAPACITOR	100PF 5% 50V	
C 997	NCB21HJ-101AY	C. CAPACITOR	100PF 5% 50V	
C 998	NCB21HJ-101AY	C. CAPACITOR	100PF 5% 50V	
CJ701	QNZ0007-001	CAR CONNECTOR	100PF 5% 50V	
CP501	QGB1214J1-14S	CONNECTOR		
CP502	QGB1214J1-12S	CONNECTOR		
CP961	QNZ0002-001	16P CONNECTOR		
D 1	1SS133T-91	SI DIODE		
D 2	1SS133T-91	SI DIODE		
D 3	MA152WK-X	SI DIODE		
D 51	MTZJT-9110C	ZENER DIODE		
D 131	MA152WA-TX	DIODE		
D 231	MA152WA-TX	DIODE		
D 581	DSK10C-E	DIODE		
D 637	1SS133T-91	SI DIODE		

BLOCK NO. 01111111

REF.	PARTS NO.	PARTS NAME	REMARKS	SUFFIX
R 142	NRSA02J-823NY	MG RESISTOR	82K 5% 1/10W	
R 151	NRSA02J-223NY	MG RESISTOR	22K 5% 1/10W	
R 155	NRSA02J-123NY	MG RESISTOR	12K 5% 1/10W	
R 154	NRSA02J-333NY	MG RESISTOR	33K 5% 1/10W	
R 155	NRSA02J-103NY	MG RESISTOR	10K 5% 1/10W	
R 156	NRSA02J-103NY	MG RESISTOR	10K 5% 1/10W	
R 157	NRSA02J-272NY	MG RESISTOR	2.7K 5% 1/10W	
R 201	NRSA02J-682NY	MG RESISTOR	6.8K 5% 1/10W	
R 202	NRSA02J-682NY	MG RESISTOR	6.8K 5% 1/10W	
R 211	NRSA02J-224NY	MG RESISTOR	22K 5% 1/10W	
R 212	NRSA02J-223NY	MG RESISTOR	22K 5% 1/10W	
R 213	NRSA02J-222NY	MG RESISTOR	2.2K 5% 1/10W	
R 218	NRSA02J-473NY	MG RESISTOR	47K 5% 1/10W	
R 219	NRSA02J-473NY	MG RESISTOR	47K 5% 1/10W	
R 231	NRSA02J-222NY	MG RESISTOR	2.2K 5% 1/10W	
R 232	NRSA02J-222NY	MG RESISTOR	2.2K 5% 1/10W	
R 233	NRSA02J-101NY	MG RESISTOR	100 5% 1/10W	
R 234	NRSA02J-821NY	MG RESISTOR	820 5% 1/10W	
R 235	NRSA02J-101NY	MG RESISTOR	100 5% 1/10W	
R 236	NRSA02J-821NY	MG RESISTOR	820 5% 1/10W	
R 241	NRSA02J-823NY	MG RESISTOR	82K 5% 1/10W	
R 242	NRSA02J-823NY	MG RESISTOR	82K 5% 1/10W	
R 251	NRSA02J-223NY	MG RESISTOR	22K 5% 1/10W	
R 253	NRSA02J-123NY	MG RESISTOR	12K 5% 1/10W	
R 254	NRSA02J-333NY	MG RESISTOR	33K 5% 1/10W	
R 255	NRSA02J-103NY	MG RESISTOR	10K 5% 1/10W	
R 256	NRSA02J-103NY	MG RESISTOR	10K 5% 1/10W	
R 257	NRSA02J-272NY	MG RESISTOR	2.7K 5% 1/10W	
R 501	NRSA02J-220NY	MG RESISTOR	22 5% 1/10W	
R 502	NRSA02J-220NY	MG RESISTOR	22 5% 1/10W	
R 503	NRSA02J-392NY	MG RESISTOR	3.9K 5% 1/10W	
R 504	NRSA02J-563NY	MG RESISTOR	56K 5% 1/10W	
R 505	NRSA02J-563NY	MG RESISTOR	56K 5% 1/10W	
R 506	NRSA02J-123NY	MG RESISTOR	12K 5% 1/10W	
R 507	NRSA02J-123NY	MG RESISTOR	12K 5% 1/10W	
R 508	NRSA02J-123NY	MG RESISTOR	12K 5% 1/10W	
R 509	NRSA02J-123NY	MG RESISTOR	12K 5% 1/10W	
R 510	NRSA02J-105NY	MG RESISTOR	1.0M 5% 1/10W	
R 511	NRSA02J-224NY	MG RESISTOR	220K 5% 1/10W	
R 512	NRSA02J-223NY	MG RESISTOR	22K 5% 1/10W	
R 513	NRSA02J-104NY	MG RESISTOR	100K 5% 1/10W	
R 514	NRSA02J-223NY	MG RESISTOR	22K 5% 1/10W	
R 515	NRSA02J-154NY	MG RESISTOR	150K 5% 1/10W	
R 516	NRSA02J-274NY	MG RESISTOR	270K 5% 1/10W	
R 517	NRSA02J-822NY	MG RESISTOR	8.2K 5% 1/10W	
R 518	NRSA02J-822NY	MG RESISTOR	8.2K 5% 1/10W	
R 519	NRSA02J-102NY	MG RESISTOR	1.0K 5% 1/10W	
R 531	NRSA02J-101NY	MG RESISTOR	100 5% 1/10W	
R 541	NRSA02J-333NY	MG RESISTOR	33K 5% 1/10W	
R 542	NRSA02J-104NY	MG RESISTOR	100K 5% 1/10W	
R 543	NRSA02J-105NY	MG RESISTOR	1.0M 5% 1/10W	
R 544	NRSA02J-104NY	MG RESISTOR	100K 5% 1/10W	
R 545	NRSA02J-272NY	MG RESISTOR	2.7K 5% 1/10W	
R 546	NRSA02J-331NY	MG RESISTOR	330 5% 1/10W	
R 548	NRSA02J-334NY	MG RESISTOR	330K 5% 1/10W	

BLOCK NO. 01111111

REF.	PARTS NO.	PARTS NAME	REMARKS	SUFFIX
Q 52	2SD601A(R)	TRANSISTOR		
Q 53	2SD601A(R)	TRANSISTOR		
Q 54	2SC3661	TRANSISTOR		
Q 131	2SD1048X7T-HL	TRANSISTOR		
Q 132	2SD1048X7T-HL	TRANSISTOR		
Q 231	2SD1048X7T-HL	TRANSISTOR		
Q 232	2SD1048X7T-HL	TRANSISTOR		
Q 501	2SB1322(RS)	TRANSISTOR		
Q 583	2SB1322(RS)	TRANSISTOR		
Q 751	UN2211	TRANSISTOR		
Q 871	UN2211	TRANSISTOR		
Q 951	2SD601A(R)	TRANSISTOR		
Q 961	2SB1322(RS)	TRANSISTOR		
Q 962	2SB709A(Q)	TRANSISTOR		
Q 963	UN2213	TRANSISTOR		
Q 970	2SD601A(R)	TRANSISTOR		
Q 977	UN2111	TRANSISTOR		
Q 978	UN2211	TRANSISTOR		
Q 979	UN2111	TRANSISTOR		
Q 981	2SB1587-T-HL	TRANSISTOR		
Q 982	UN2111	TRANSISTOR		
Q 983	UN2211	TRANSISTOR		
Q 984	UN2211	TRANSISTOR		
Q 989	2SD601A(R)	TRANSISTOR		
R 1	NRSA02J-101NY	MG RESISTOR	100 5% 1/10W	
R 2	NRSA02J-822NY	MG RESISTOR	8.2K 5% 1/10W	
R 4	NRSA02J-473NY	MG RESISTOR	47K 5% 1/10W	
R 5	NRSA02J-332NY	MG RESISTOR	3.3K 5% 1/10W	
R 6	NRS181J-8R2NY	MG RESISTOR	8.2 5% 1/8W	
R 7	NRSA02J-473NY	MG RESISTOR	47K 5% 1/10W	
R 8	NRSA02J-473NY	MG RESISTOR	4.7K 5% 1/10W	
R 10	NRSA02J-563NY	MG RESISTOR	56K 5% 1/10W	
R 51	NRS181J-471NY	MG RESISTOR	470 5% 1/8W	
R 52	NRSA02J-152NY	MG RESISTOR	1.5K 5% 1/10W	
R 53	NRSA02J-103NY	MG RESISTOR	10K 5% 1/10W	
R 54	NRSA02J-102NY	MG RESISTOR	1.0K 5% 1/10W	
R 55	NRSA02J-102NY	MG RESISTOR	1.0K 5% 1/10W	
R 56	NRSA02J-102NY	MG RESISTOR	1.0K 5% 1/10W	
R 57	NRSA02J-332NY	MG RESISTOR	3.3K 5% 1/10W	
R 58	NRSA02J-102NY	MG RESISTOR	1.0K 5% 1/10W	
R 59	NRSA02J-102NY	MG RESISTOR	1.0K 5% 1/10W	
R 101	NRSA02J-682NY	MG RESISTOR	6.8K 5% 1/10W	
R 102	NRSA02J-682NY	MG RESISTOR	6.8K 5% 1/10W	
R 111	NRSA02J-224NY	MG RESISTOR	220K 5% 1/10W	
R 112	NRSA02J-223NY	MG RESISTOR	22K 5% 1/10W	
R 113	NRSA02J-222NY	MG RESISTOR	2.2K 5% 1/10W	
R 118	NRSA02J-473NY	MG RESISTOR	47K 5% 1/10W	
R 119	NRSA02J-473NY	MG RESISTOR	47K 5% 1/10W	
R 131	NRSA02J-222NY	MG RESISTOR	2.2K 5% 1/10W	
R 132	NRSA02J-222NY	MG RESISTOR	2.2K 5% 1/10W	
R 133	NRSA02J-101NY	MG RESISTOR	100 5% 1/10W	
R 134	NRSA02J-821NY	MG RESISTOR	820 5% 1/10W	
R 135	NRSA02J-101NY	MG RESISTOR	100 5% 1/10W	
R 136	NRSA02J-821NY	MG RESISTOR	820 5% 1/10W	
R 141	NRSA02J-823NY	MG RESISTOR	82K 5% 1/10W	

BLOCK NO. 01111111

A	REF.	PARTS NO.	PARTS NAME	REMARKS	SUFFIX
R	733	NRSA02J-472NY	MG RESISTOR	4.7K 5% 1/10W	
R	735	NRSA02J-104NY	MG RESISTOR	100K 5% 1/10W	
R	737	NRSA02J-104NY	MG RESISTOR	KD-SX930 ONLY	
R	738	NRSA02J-104NY	MG RESISTOR	KD-SX939 ONLY	
R	739	NRSA02J-104NY	MG RESISTOR	KD-SX930 ONLY	
R	740	NRSA02J-103NY	MG RESISTOR	10K 5% 1/10W	
R	741	NRSA02J-473NY	MG RESISTOR	47K 5% 1/10W	
R	742	NRSA02J-473NY	MG RESISTOR	47K 5% 1/10W	
R	748	NRSA02J-104NY	MG RESISTOR	100K 5% 1/10W	
R	749	NRSA02J-104NY	MG RESISTOR	100K 5% 1/10W	
R	750	NRSA02J-103NY	MG RESISTOR	10K 5% 1/10W	
R	752	NRSA02J-103NY	MG RESISTOR	10K 5% 1/10W	
R	753	NRSA02J-103NY	MG RESISTOR	10K 5% 1/10W	
R	754	NRSA02J-473NY	MG RESISTOR	47K 5% 1/10W	
R	755	NRSA02J-103NY	MG RESISTOR	10K 5% 1/10W	
R	756	NRSA02J-103NY	MG RESISTOR	10K 5% 1/10W	
R	759	NRSA02J-473NY	MG RESISTOR	47K 5% 1/10W	
R	772	NRSA02J-473NY	MG RESISTOR	47K 5% 1/10W	
R	773	NRSA02J-223NY	MG RESISTOR	22K 5% 1/10W	
R	774	NRSA02J-101NY	MG RESISTOR	100 5% 1/10W	
R	775	NRSA02J-103NY	MG RESISTOR	10K 5% 1/10W	
R	776	NRSA02J-104NY	MG RESISTOR	100K 5% 1/10W	
R	777	NRSA02J-104NY	MG RESISTOR	100K 5% 1/10W	
R	821	GRD14J-102S	CARBON RESISTOR	KD-SX939 ONLY	
R	822	NRSA02J-822NY	MG RESISTOR	KD-SX939 ONLY	
R	823	NRSA02J-223NY	MG RESISTOR	KD-SX939 ONLY	
R	824	NRSA02J-822NY	MG RESISTOR	KD-SX939 ONLY	
R	825	NRSA02J-223NY	MG RESISTOR	KD-SX939 ONLY	
R	826	NRSA02J-453NY	MG RESISTOR	KD-SX939 ONLY	
R	827	NRSA02J-472NY	MG RESISTOR	KD-SX939 ONLY	
R	828	NRSA02J-823NY	MG RESISTOR	KD-SX939 ONLY	
R	839	NRSA02J-223NY	MG RESISTOR	KD-SX939 ONLY	
R	830	NRSA02J-103NY	MG RESISTOR	KD-SX939 ONLY	
R	831	NRSA02J-820NY	MG RESISTOR	KD-SX939 ONLY	
R	852	NRSA02J-473NY	MG RESISTOR	47K 5% 1/10W	
R	871	NRS18J-102NY	MG RESISTOR	1.0K 5% 1/8W	
R	911	NRSA02J-271NY	MG RESISTOR	270 5% 1/10W	
R	912	NRSA02J-271NY	MG RESISTOR	270 5% 1/10W	
R	951	NRSA02J-473NY	MG RESISTOR	47K 5% 1/10W	
R	952	NRSA02J-423NY	MG RESISTOR	12K 5% 1/10W	
R	953	NRSA02J-484NY	MG RESISTOR	180K 5% 1/10W	
R	954	NRSA02J-223NY	MG RESISTOR	22K 5% 1/10W	
R	955	NRSA02J-101NY	MG RESISTOR	100 5% 1/10W	
R	956	NRSA02J-102NY	MG RESISTOR	1.0K 5% 1/10W	
R	957	NRSA02J-274NY	MG RESISTOR	270K 5% 1/10W	
R	961	GRD14DJ-470X	C RESISTOR	47 1/1W	
R	962	NRSA02J-103NY	MG RESISTOR	10K 5% 1/10W	
R	963	NRSA02J-472NY	MG RESISTOR	4.7K 5% 1/10W	
R	964	NRSA02J-473NY	MG RESISTOR	47K 5% 1/10W	
R	965	NRSA02J-222NY	MG RESISTOR	2.2K 5% 1/10W	
R	967	NRS18J-060NY	MG RESISTOR	5% 1/8W	

BLOCK NO. 01111111

A	REF.	PARTS NO.	PARTS NAME	REMARKS	SUFFIX
R	549	NRSA02J-272NY	MG RESISTOR	2.7K 5% 1/10W	
R	551	NRSA02J-221NY	MG RESISTOR	220 5% 1/10W	
R	552	NRSA02J-102NY	MG RESISTOR	1.0K 5% 1/10W	
R	553	NRSA02J-102NY	MG RESISTOR	1.0K 5% 1/10W	
R	554	NRSA02J-102NY	MG RESISTOR	1.0K 5% 1/10W	
R	555	NRSA02J-102NY	MG RESISTOR	1.0K 5% 1/10W	
R	556	NRSA02J-102NY	MG RESISTOR	1.0K 5% 1/10W	
R	557	NRSA02J-102NY	MG RESISTOR	1.0K 5% 1/10W	
R	558	NRSA02J-102NY	MG RESISTOR	1.0K 5% 1/10W	
R	559	NRSA02J-102NY	MG RESISTOR	1.0K 5% 1/10W	
R	561	NRSA02J-183NY	MG RESISTOR	18K 5% 1/10W	
R	562	NRSA02J-272NY	MG RESISTOR	2.7K 5% 1/10W	
R	563	NRSA02J-090NY	MG RESISTOR	5% 1/10W	
R	564	NRSA02J-183NY	MG RESISTOR	18K 5% 1/10W	
R	565	NRSA02J-222NY	MG RESISTOR	2.2K 5% 1/10W	
R	566	NRSA02J-090NY	MG RESISTOR	5% 1/10W	
R	567	NRSA02J-392NY	MG RESISTOR	3.9K 5% 1/10W	
R	568	NRSA02J-821NY	MG RESISTOR	820 5% 1/10W	
R	569	NRSA02J-472NY	MG RESISTOR	4.7K 5% 1/10W	
R	570	NRSA02J-821NY	MG RESISTOR	820 5% 1/10W	
R	571	NRSA02J-683NY	MG RESISTOR	68K 5% 1/10W	
R	581	NRS18J-2R2NY	MG RESISTOR	2.2 5% 1/8W	
R	582	NRS18J-2R2NY	MG RESISTOR	2.2 5% 1/8W	
R	583	NRSA02J-103NY	MG RESISTOR	10K 5% 1/10W	
R	584	NRSA02J-103NY	MG RESISTOR	10K 5% 1/10W	
R	649	NRSA02J-224NY	MG RESISTOR	220K 5% 1/10W	
R	700	NRSA02J-101NY	MG RESISTOR	100 5% 1/10W	
R	701	NRSA02J-102NY	MG RESISTOR	1.0K 5% 1/10W	
R	702	NRSA02J-122NY	MG RESISTOR	1.2K 5% 1/10W	
R	703	NRSA02J-222NY	MG RESISTOR	2.2K 5% 1/10W	
R	704	NRSA02J-222NY	MG RESISTOR	2.2K 5% 1/10W	
R	705	NRSA02J-222NY	MG RESISTOR	2.2K 5% 1/10W	
R	706	NRSA02J-103NY	MG RESISTOR	10K 5% 1/10W	
R	707	NRSA02J-103NY	MG RESISTOR	10K 5% 1/10W	
R	708	NRSA02J-103NY	MG RESISTOR	10K 5% 1/10W	
R	711	NRSA02J-472NY	MG RESISTOR	4.7K 5% 1/10W	
R	713	NRSA02J-103NY	MG RESISTOR	10K 5% 1/10W	
R	714	NRSA02J-103NY	MG RESISTOR	10K 5% 1/10W	
R	716	NRSA02J-103NY	MG RESISTOR	10K 5% 1/10W	
R	717	NRSA02J-103NY	MG RESISTOR	10K 5% 1/10W	
R	718	NRSA02J-103NY	MG RESISTOR	10K 5% 1/10W	
R	719	NRSA02J-472NY	MG RESISTOR	4.7K 5% 1/10W	
R	720	NRSA02J-472NY	MG RESISTOR	4.7K 5% 1/10W	
R	721	NRSA02J-472NY	MG RESISTOR	4.7K 5% 1/10W	
R	722	NRSA02J-391NY	MG RESISTOR	390 5% 1/10W	
R	723	NRSA02J-473NY	MG RESISTOR	47K 5% 1/10W	
R	724	NRS18J-472NY	MG RESISTOR	4.7K 5% 1/8W	
R	725	NRSA02J-473NY	MG RESISTOR	47K 5% 1/10W	
R	726	NRSA02J-473NY	MG RESISTOR	47K 5% 1/10W	
R	727	NRSA02J-473NY	MG RESISTOR	47K 5% 1/10W	
R	728	NRSA02J-473NY	MG RESISTOR	47K 5% 1/10W	
R	729	NRSA02J-473NY	MG RESISTOR	47K 5% 1/10W	
R	730	NRSA02J-473NY	MG RESISTOR	47K 5% 1/10W	
R	731	NRSA02J-104NY	MG RESISTOR	100K 5% 1/10W	
R	732	NRSA02J-472NY	MG RESISTOR	4.7K 5% 1/10W	

■ LCD Driver & Operation Switch Board

BLOCK NO. 02

REF.	PARTS NO.	PARTS NAME	REMARKS	SUFFIX
C 602	NCB21HK-103AY	C CAPACITOR	.010MF 10% 50V	
C 603	NCB21HJ-221AY	C CAPACITOR	220PF 5% 50V	
C 604	NCB21CK-224AYU	C CAPACITOR	.22MF 10% 16V	
C 605	NCB21CK-224AYU	C CAPACITOR	.22MF 10% 16V	
C 606	ECST0JY-475R	TS E CAPACITOR		
CP701	GNZ0006-001	CAR CONNECTOR		
D 601	SML-210LT/LM/-X	LED		
D 605	SML-210FT/JKL/W	LED		
D 606	SML-210FT/JKL/W	LED		
D 607	SML-210FT/JKL/W	LED		
D 608	SML-210FT/JKL/W	LED		
D 609	SML-210FT/JKL/W	LED		
D 610	SML-210FT/JKL/W	LED		
D 611	SML-210FT/JKL/W	LED		
D 612	SML-210FT/JKL/W	LED		
D 613	SML-210FT/JKL/W	LED		
D 614	SML-210FT/JKL/W	LED		
D 615	SML-210FT/JKL/W	LED		
D 616	SML-210FT/JKL/W	LED		
D 617	SML-210FT/JKL/W	LED		
D 618	SML-210FT/JKL/W	LED		
D 619	SML-210FT/JKL/W	LED		
D 620	SML-210FT/JKL/W	LED		
D 621	SML-210FT/JKL/W	LED		
D 622	SML-210FT/JKL/W	LED		
D 623	SML-210FT/JKL/W	LED		
D 624	SML-210FT/JKL/W	LED		
D 625	SML-210FT/JKL/W	LED		
D 626	SML-210FT/JKL/W	LED		
D 627	SML-210FT/JKL/W	LED		
D 628	SML-210FT/JKL/W	LED		
D 629	SML-210FT/JKL/W	LED		
D 630	SML-020MV	LED		
D 631	SML-020MV	LED		
D 632	SML-020MV	LED		
D 633	MA152WA-TX	DIODE		
D 634	MA152WK-X	SI DIODE		
D 635	MA152WA-TX	DIODE		
D 636	MA152WK-X	SI DIODE		
D 641	NSPW310AS/B/	LED		
D 642	NSPW310AS/B/	LED		
D 643	NSPW310AS/B/	LED		
D 644	NSPW310AS/B/	LED		
EM601	QSW0623-001	ROTARY ENCODER		
IC601	LC75873NW	IC		
IC602	RPW693B-V4	RM.RECEIVER		
Q 601	2SB709A(G)	TRANSISTOR		
Q 602	2SB709A(G)	TRANSISTOR		
Q 603	2SB709A(G)	TRANSISTOR		
Q 604	UN2211	TRANSISTOR		
Q 605	UN2211	TRANSISTOR		
Q 606	UN2211	TRANSISTOR		
R 601	NRSA02J-821NY	MG RESISTOR	820 5% 1/10W	
R 602	NRSA02J-821NY	MG RESISTOR	820 5% 1/10W	
R 603	NRSA02J-122NY	MG RESISTOR	1.2K 5% 1/10W	

BLOCK NO. 01

REF.	PARTS NO.	PARTS NAME	REMARKS	SUFFIX
R 969	NRSA02J-223NY	MG RESISTOR	22K 5% 1/10W	
R 970	NRSA02J-124NY	MG RESISTOR	120K 5% 1/10W	
R 971	NRSA02J-103NY	MG RESISTOR	10K 5% 1/10W	
R 977	NRSA02J-472NY	MG RESISTOR	4.7K 5% 1/10W	
R 981	NRS181J-471NY	MG RESISTOR	470 5% 1/8W	
R 983	NRSA02J-272NY	MG RESISTOR	2.7K 5% 1/10W	
R 984	QRD14DJ-470X	C RESISTOR	47 1/1W	
R 989	NRSA02J-474NY	MG RESISTOR	470K 5% 1/10W	
S 701	QSW0451-001	DETECT SWITCH	DETACH	
S 702	QSW0450-002	DETECT SWITCH	OPEN	
TU 1	QAU0058-001	TUNER		
X 531	QAX0423-001Z	CRYSTAL		
X 701	VCX5026-001Z	CRYSTAL		

BLOCK NO. 02

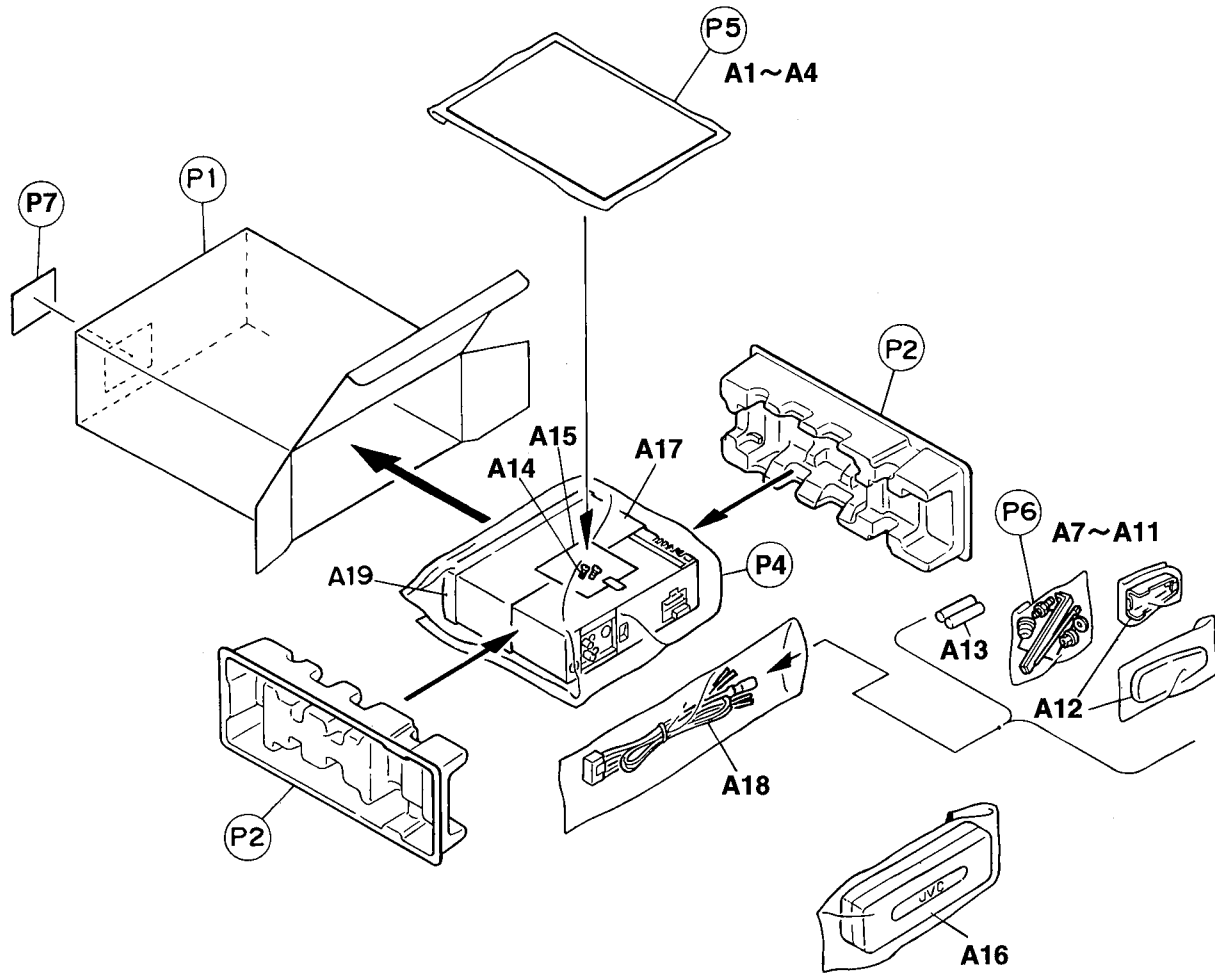
BLOCK NO. 02

REF.	PARTS NO.	PARTS NAME	REMARKS	SUFFIX
S 613	NSW0039-001X	TACT SWITCH		
S 614	NSW0039-001X	TACT SWITCH		
S 615	NSW0039-001X	TACT SWITCH		
S 616	NSW0039-001X	TACT SWITCH		
S 617	NSW0039-001X	TACT SWITCH		
S 618	NSW0039-001X	TACT SWITCH		
S 619	NSW0039-001X	TACT SWITCH		

REF.	PARTS NO.	PARTS NAME	REMARKS	SUFFIX
R 604	NRSA02J-182NY	MG RESISTOR	1.8K 5% 1/10W	
R 605	NRSA02J-272NY	MG RESISTOR	2.7K 5% 1/10W	
R 606	NRSA02J-392NY	MG RESISTOR	3.9K 5% 1/10W	
R 607	NRSA02J-821NY	MG RESISTOR	820 5% 1/10W	
R 608	NRSA02J-821NY	MG RESISTOR	820 5% 1/10W	
R 609	NRSA02J-122NY	MG RESISTOR	1.2K 5% 1/10W	
R 610	NRSA02J-182NY	MG RESISTOR	1.8K 5% 1/10W	
R 611	NRSA02J-272NY	MG RESISTOR	2.7K 5% 1/10W	
R 613	NRSA02J-821NY	MG RESISTOR	820 5% 1/10W	
R 615	NRSA02J-202NY	CARBON RESISTOR	2.0K 5% 1/10W	
R 616	NRSA02J-182NY	MG RESISTOR	1.8K 5% 1/10W	
R 617	NRSA02J-272NY	MG RESISTOR	2.7K 5% 1/10W	
R 618	NRSA02J-392NY	MG RESISTOR	3.9K 5% 1/10W	
R 620	NRS181J-821NY	MG RESISTOR	820 5% 1/8W	
R 621	NRS181J-331NY	MG RESISTOR	330 5% 1/8W	
R 622	NRS181J-221NY	MG RESISTOR	220 5% 1/8W	
R 623	NRS181J-221NY	MG RESISTOR	220 5% 1/8W	
R 624	NRS181J-221NY	MG RESISTOR	220 5% 1/8W	
R 625	NRS181J-221NY	MG RESISTOR	220 5% 1/8W	
R 626	NRS181J-221NY	MG RESISTOR	220 5% 1/8W	
R 628	NRS181J-331NY	MG RESISTOR	330 5% 1/8W	
R 629	NRS181J-331NY	MG RESISTOR	330 5% 1/8W	
R 630	NRS181J-331NY	MG RESISTOR	330 5% 1/8W	
R 631	NRS181J-331NY	MG RESISTOR	330 5% 1/8W	
R 632	NRS181J-561NY	MG RESISTOR	560 5% 1/8W	
R 633	NRSA02J-473NY	MG RESISTOR	47K 5% 1/10W	
R 634	NRS181J-561NY	MG RESISTOR	560 5% 1/8W	
R 635	NRSA02J-473NY	MG RESISTOR	47K 5% 1/10W	
R 636	NRS181J-561NY	MG RESISTOR	560 5% 1/8W	
R 637	NRSA02J-473NY	MG RESISTOR	47K 5% 1/10W	
R 638	NRS181J-561NY	MG RESISTOR	560 5% 1/8W	
R 639	NRS181J-561NY	MG RESISTOR	560 5% 1/8W	
R 640	NRS181J-561NY	MG RESISTOR	560 5% 1/8W	
R 641	NRS181J-181NY	MG RESISTOR	180 5% 1/8W	
R 642	NRS181J-181NY	MG RESISTOR	180 5% 1/8W	
R 643	NRSA02J-472NY	MG RESISTOR	4.7K 5% 1/10W	
R 644	NRSA02J-470NYM	MG RESISTOR	47 5% 1/10W	
R 645	NRSA02J-222NY	MG RESISTOR	2.2K 5% 1/10W	
R 646	NRSA02J-222NY	MG RESISTOR	2.2K 5% 1/10W	
R 647	NRSA02J-222NY	MG RESISTOR	2.2K 5% 1/10W	
R 648	NRSA02J-334NY	MG RESISTOR	330K 5% 1/10W	
R 651	NRSA02J-473NY	MG RESISTOR	47K 5% 1/10W	
R 652	NRSA02J-473NY	MG RESISTOR	47K 5% 1/10W	
S 601	NSW0039-001X	TACT SWITCH		
S 602	NSW0039-001X	TACT SWITCH		
S 603	NSW0039-001X	TACT SWITCH		
S 604	NSW0039-001X	TACT SWITCH		
S 605	NSW0039-001X	TACT SWITCH		
S 606	NSW0039-001X	TACT SWITCH		
S 607	NSW0039-001X	TACT SWITCH		
S 608	NSW0039-001X	TACT SWITCH		
S 609	NSW0039-001X	TACT SWITCH		
S 610	NSW0039-001X	TACT SWITCH		
S 611	NSW0039-001X	TACT SWITCH		
S 612	NSW0039-001X	TACT SWITCH		

Packing Materials and Accessories List

Block No. M 3 M M
Block No. M 4 M M



■ Packing Parts List

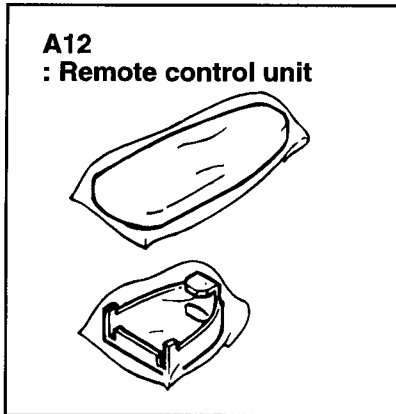
BLOCK NO. M 3 M M

△	REF.	PARTS NO.	PARTS NAME	REMARKS	QTY	SUFFIX	CLR
P	1	VPC3831-S003	CARTON	KD-SX939 ONLY	1		
		VPC3835-S003	CARTON	KD-SX930 ONLY	1		
P	2	FSPH1014-001	PAPER CUSHION		2		
P	4	VPE3005-066	POLY BAG	FOR SET	1		
P	5	QPA01703505P	POLY BAG	FOR INST	1		
P	6	QPA00801205	POLY BAG	FOR SCREW KIT	1		
P	7	-----	CARTON LABEL		1		

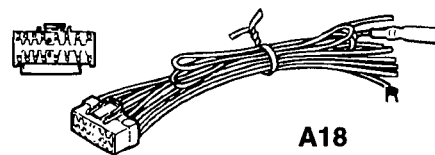
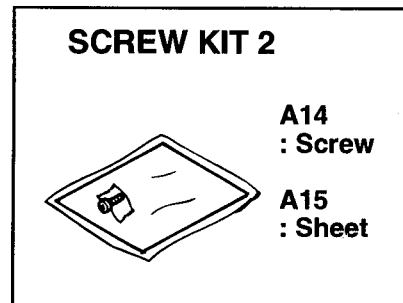
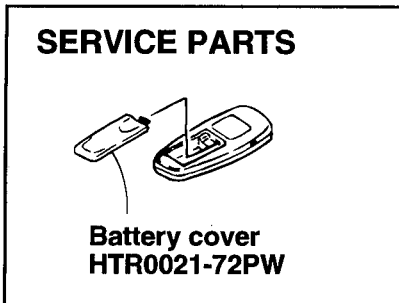
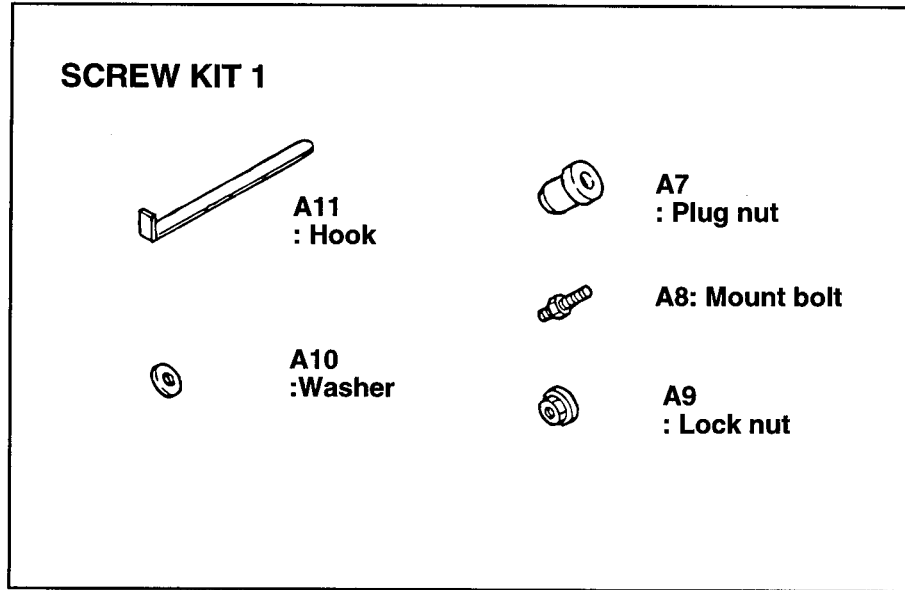
Accessories Parts List

BLOCK NO. M4MM

REF.	PARTS NO.	PARTS NAME	REMARKS	QTY	SUFFIX	CLR
A 1	VNN3831-631S	INSTRUCTIONS		1		
A 2	VNN3831-7631S	INST MANUAL		1		
A 3	ET-51009-3	WARRANTY CARD		1	J	
	BT-52001-4	WARRANTY CARD		1	C	
A 4	BT-20071B	SVC CENTER LIST		1	C	
	BT-20137	SVC CENTER LIST		1	J	
A 7	VKZ4027-002	PLUG NUT		1		
A 8	VKH4871-001	MOUNT BOLT		1		
A 9	VKZ4328-001	LOCK NUT		1		
A 10	WNS5000Z	WASHER		1		
A 11	FSKL4010-002	HOOK		2		
A 12	QAL0075-001	REMCON		1		
A 13	R03UPTT-2STS	BATTERY		1		
A 14	VKZ4777-001	MINI SCREW	THEFT PREVENTIO	2		
A 15	VND5114-001	SHEET	THEFT PREVENTIO	1		
A 16	FSJB3001-00A	HARD CASE		1		
A 17	FSKM2004-001	MOUNTING SLEEVE		1		
A 18	QAM0012-002	16P CORD ASS'Y		1		
A 19	VJD2513-001	TRIM PLATE		1		
KIT 1	KDGS717K-SCREW1	SCREW PARTS KIT	A7-A11	1		
KIT 2	KSRT626J-SCREW2	SCREW PARTS KIT	A14,A15	1		

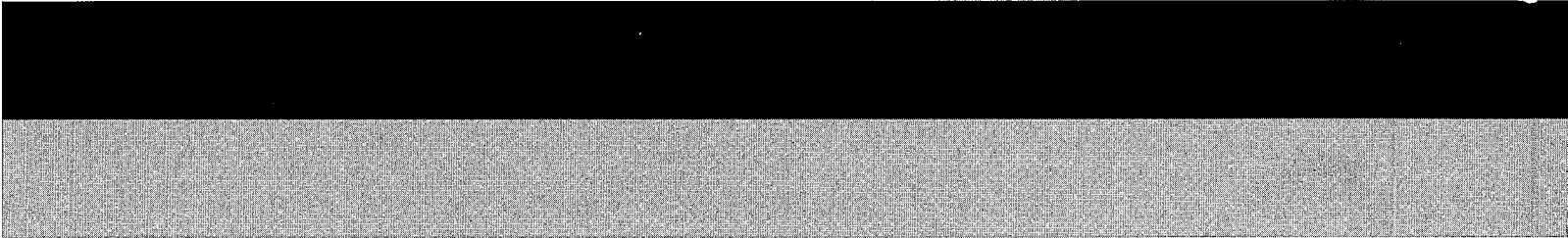


A13 : Battery



<<MEMO>>

KD-SX939
KD-SX930




JVC

VICTOR COMPANY OF JAPAN, LIMITED

MOBILE ELECTRONICS DIVISION, 10-1, Chome, Ohwatari-machi, maebashi-city, Japan

(No.49471)

 Printed in Japan
9803(O)